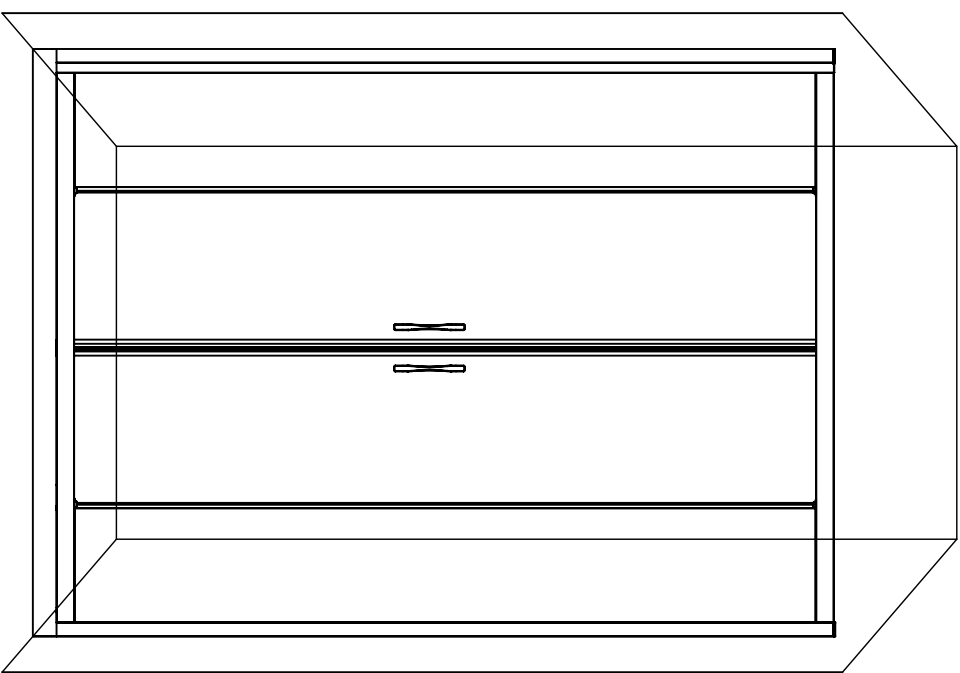
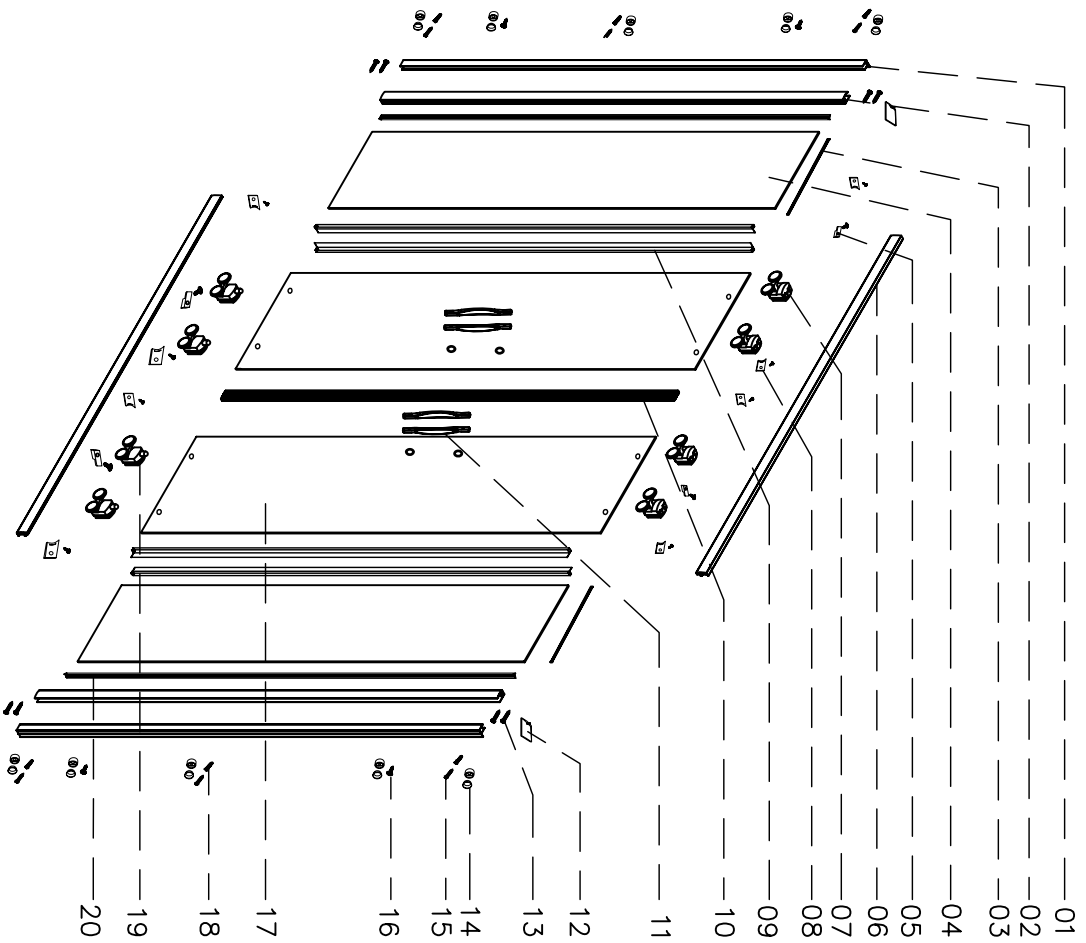
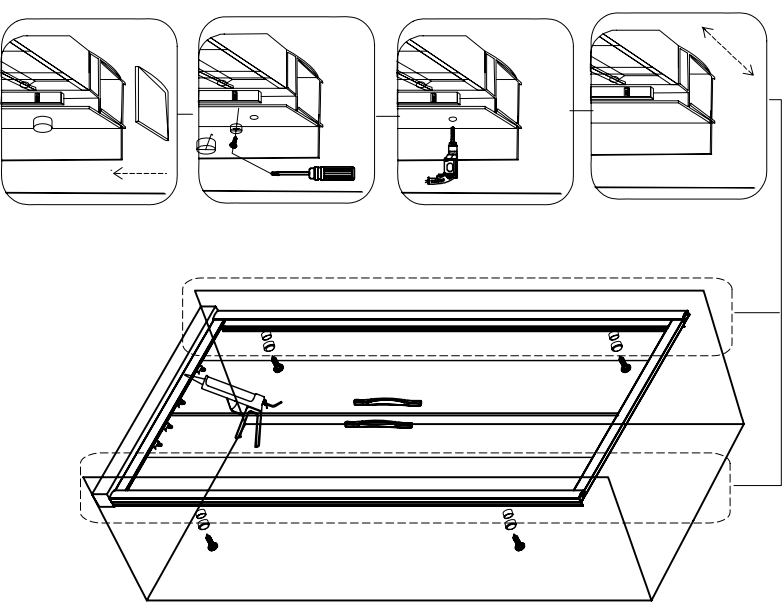


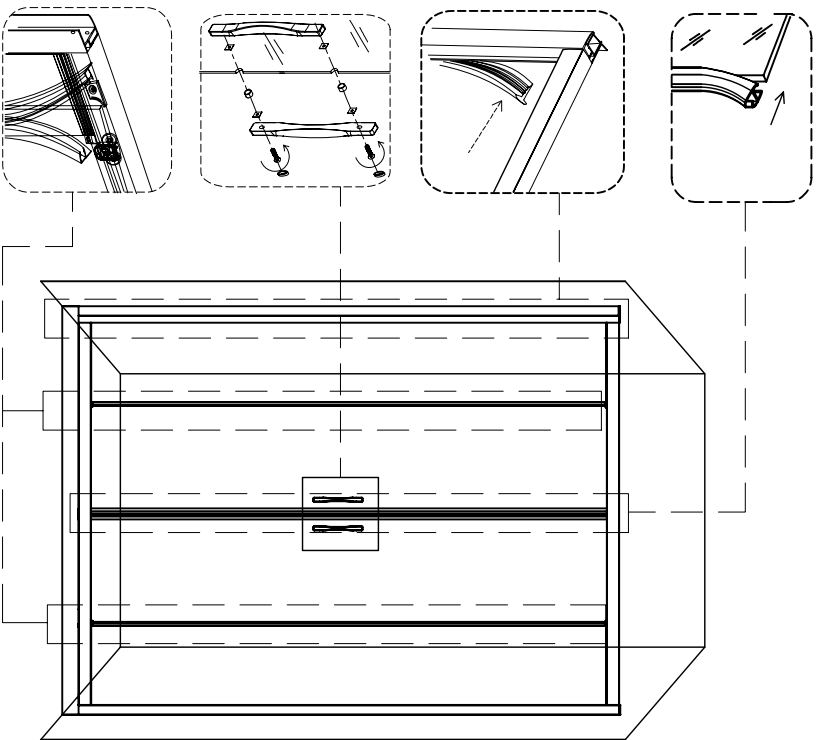
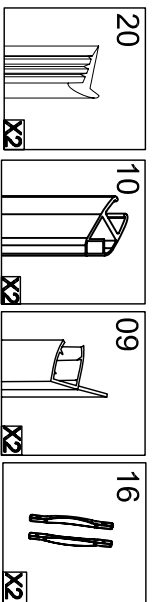
Art. 700-201



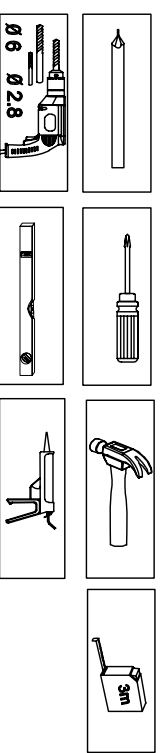
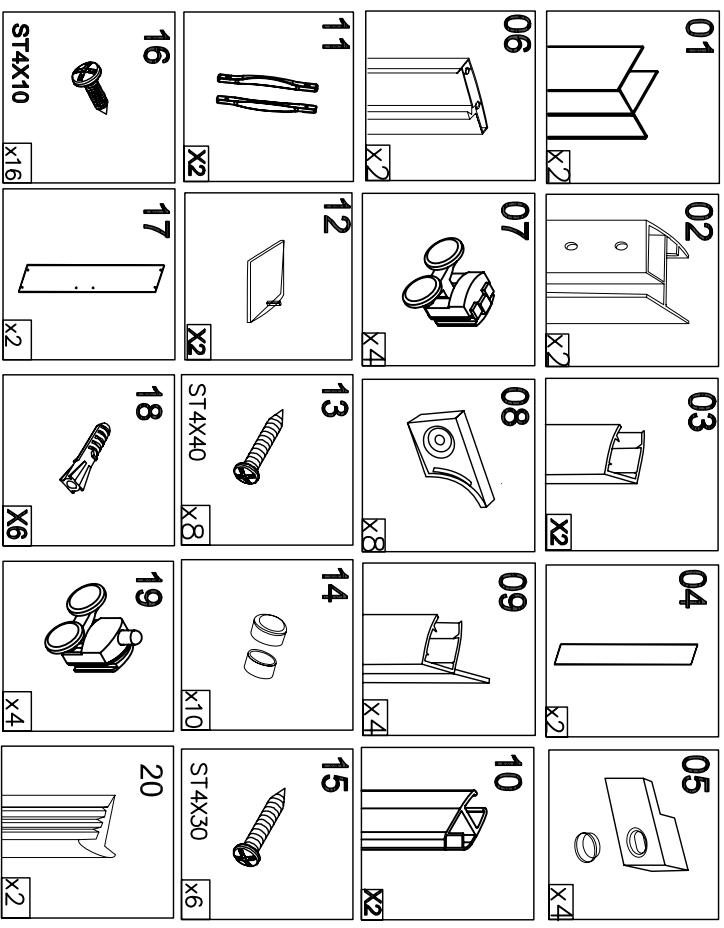


- | | | | |
|----|--|--------|----|
| 16 | | ST4x10 | X4 |
| 14 | | | X4 |
| 12 | | | X2 |
| | | | |
| | | | |

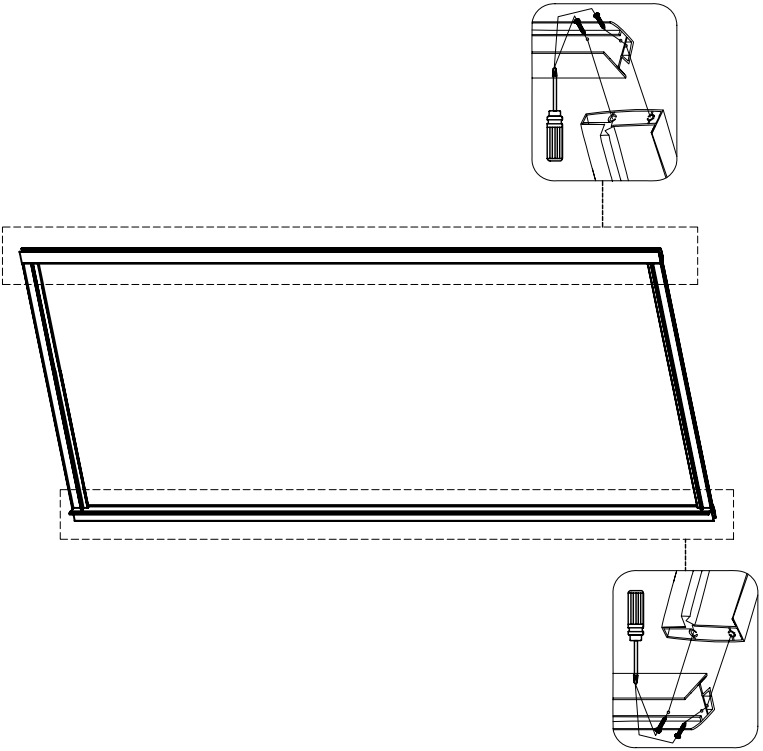
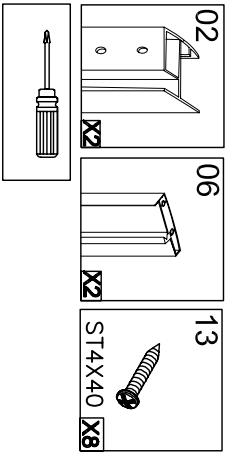




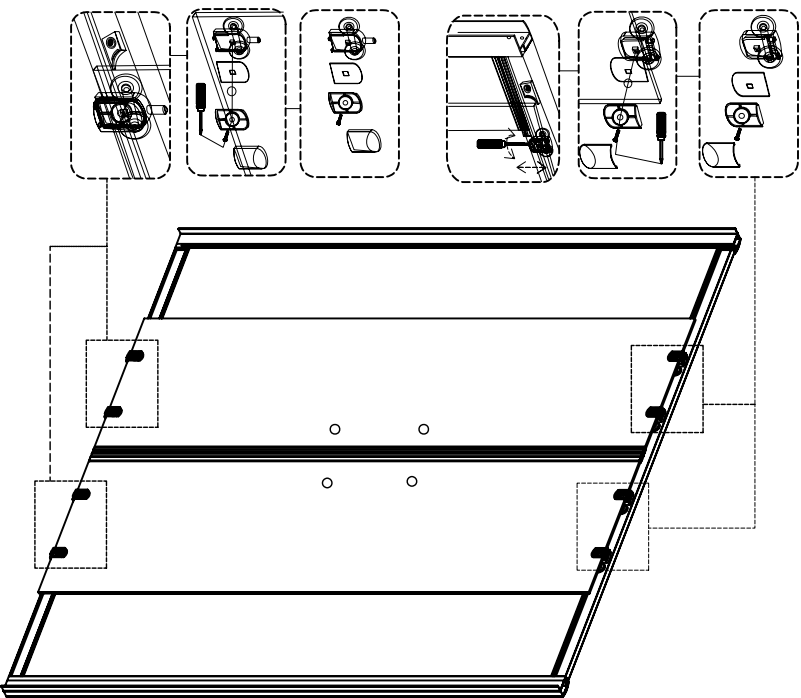
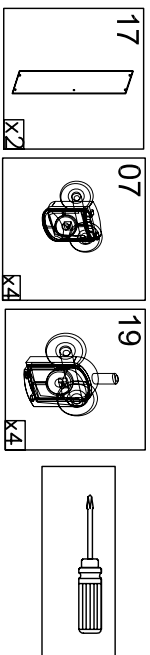
8



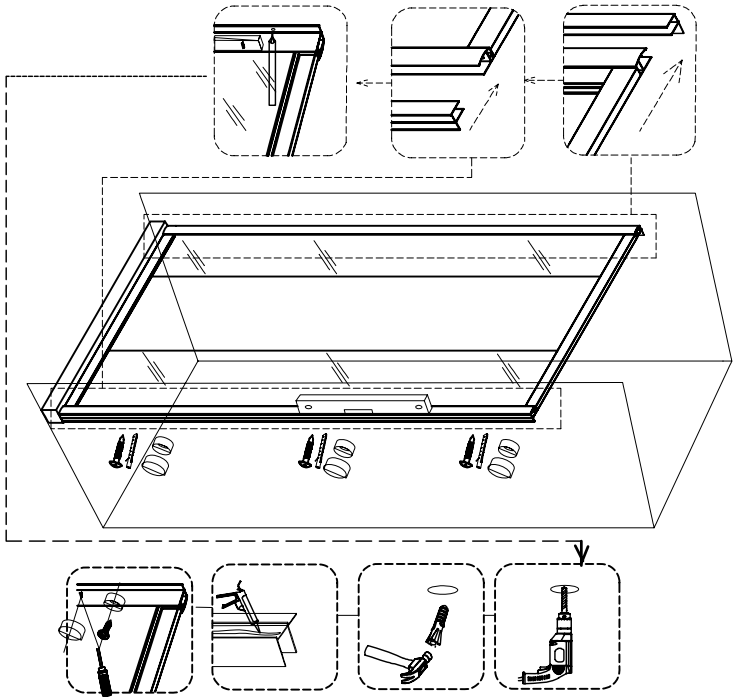
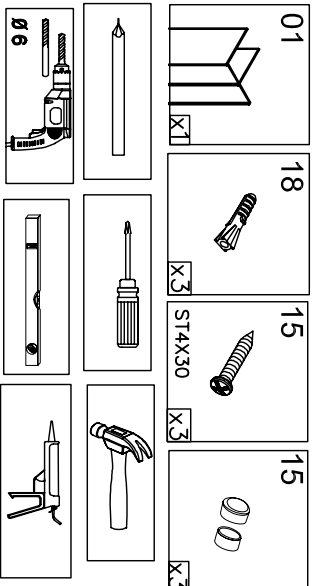
1



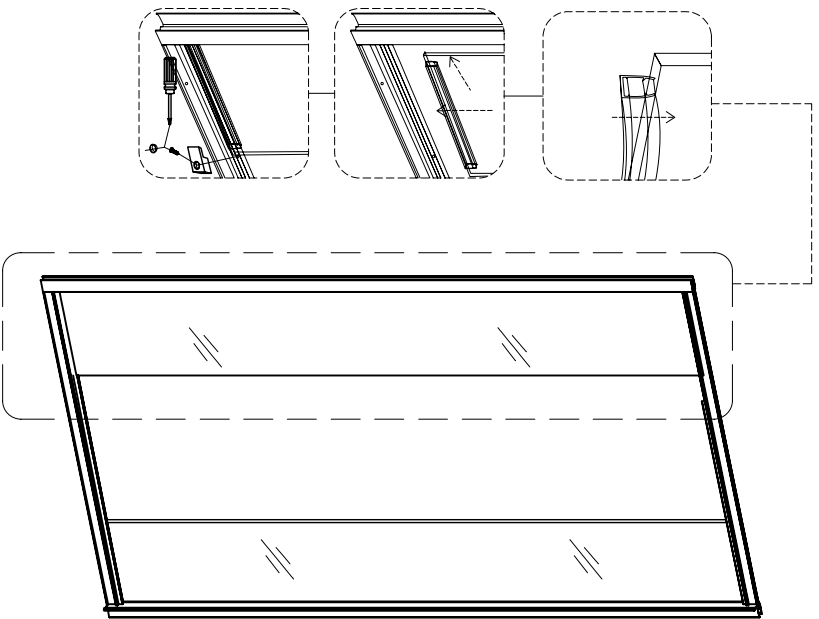
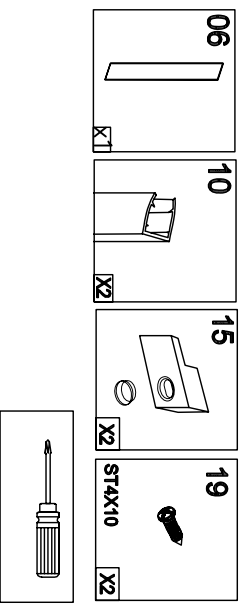
2



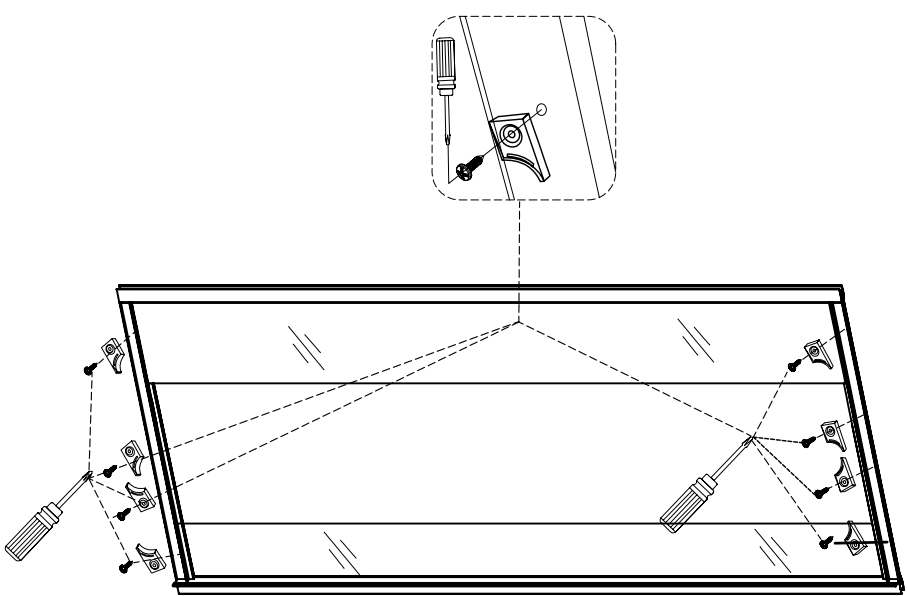
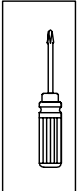
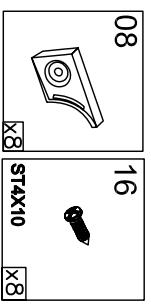
7



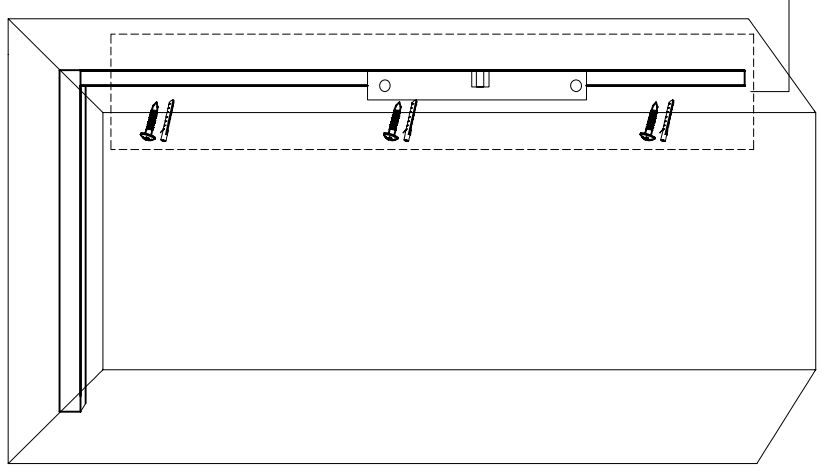
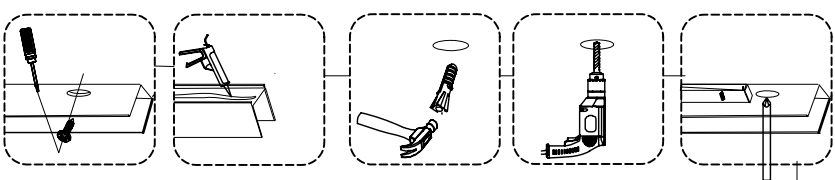
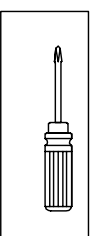
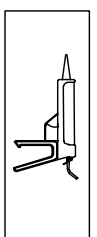
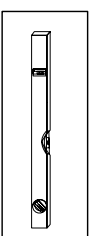
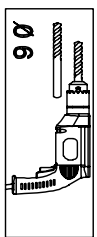
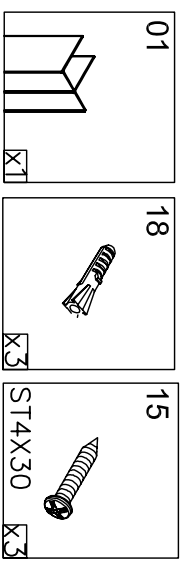
6



3



4



5