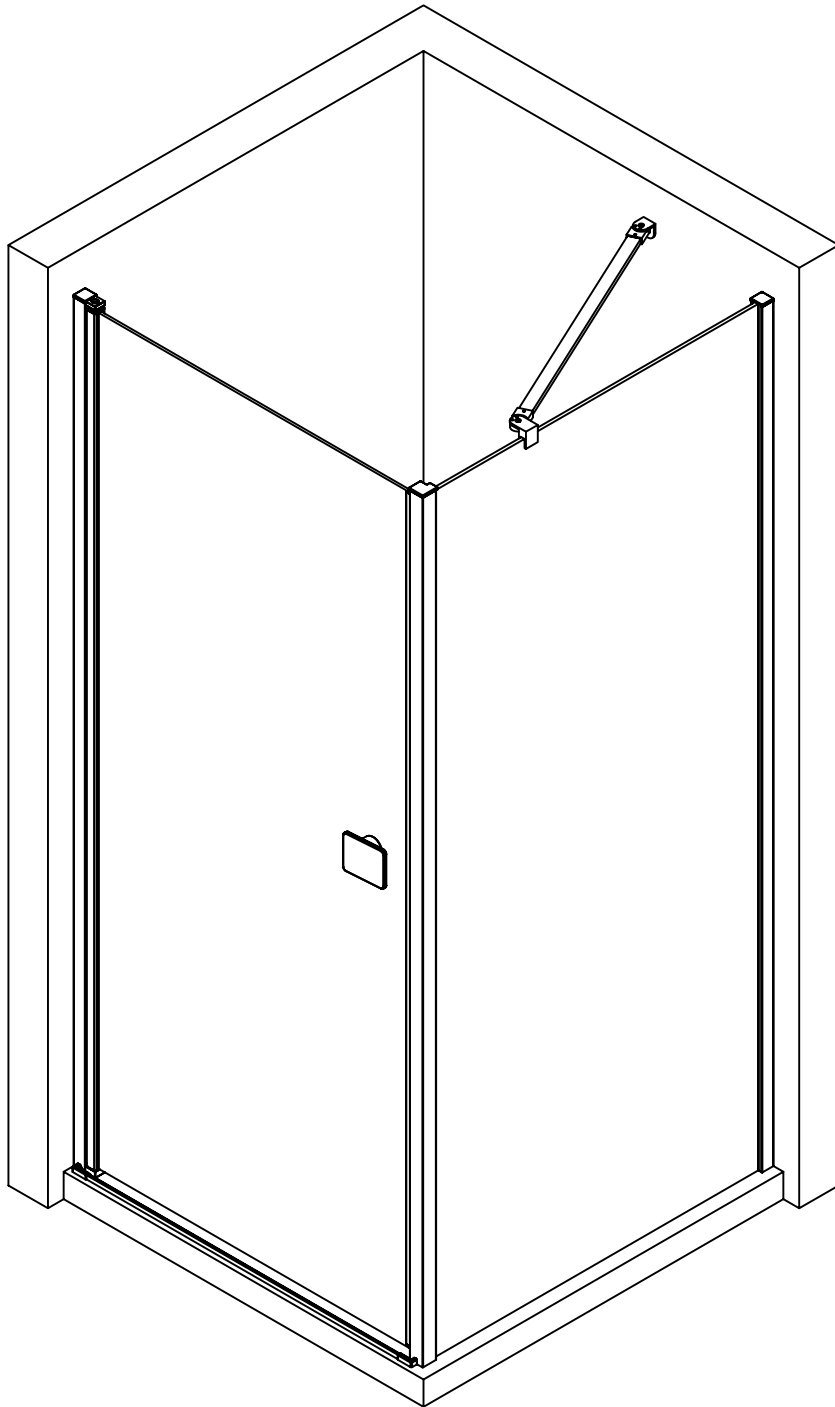
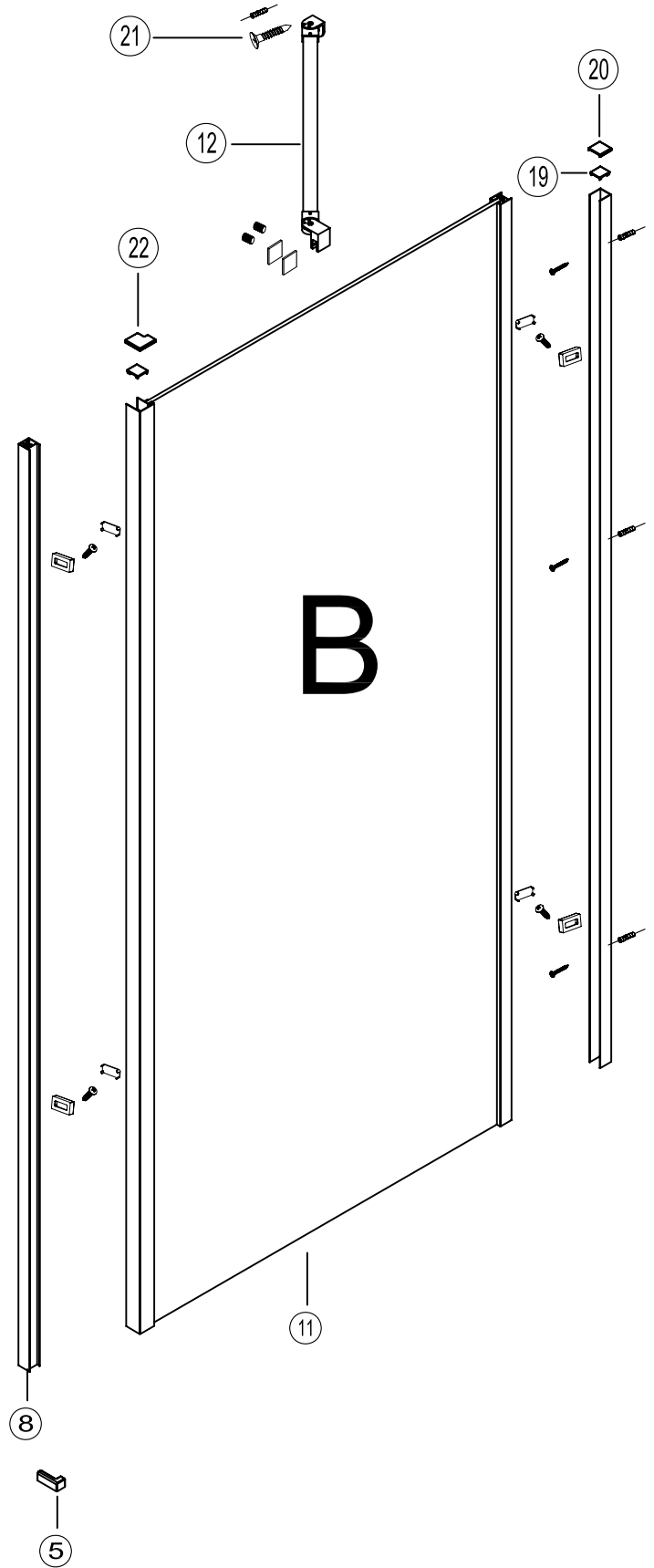
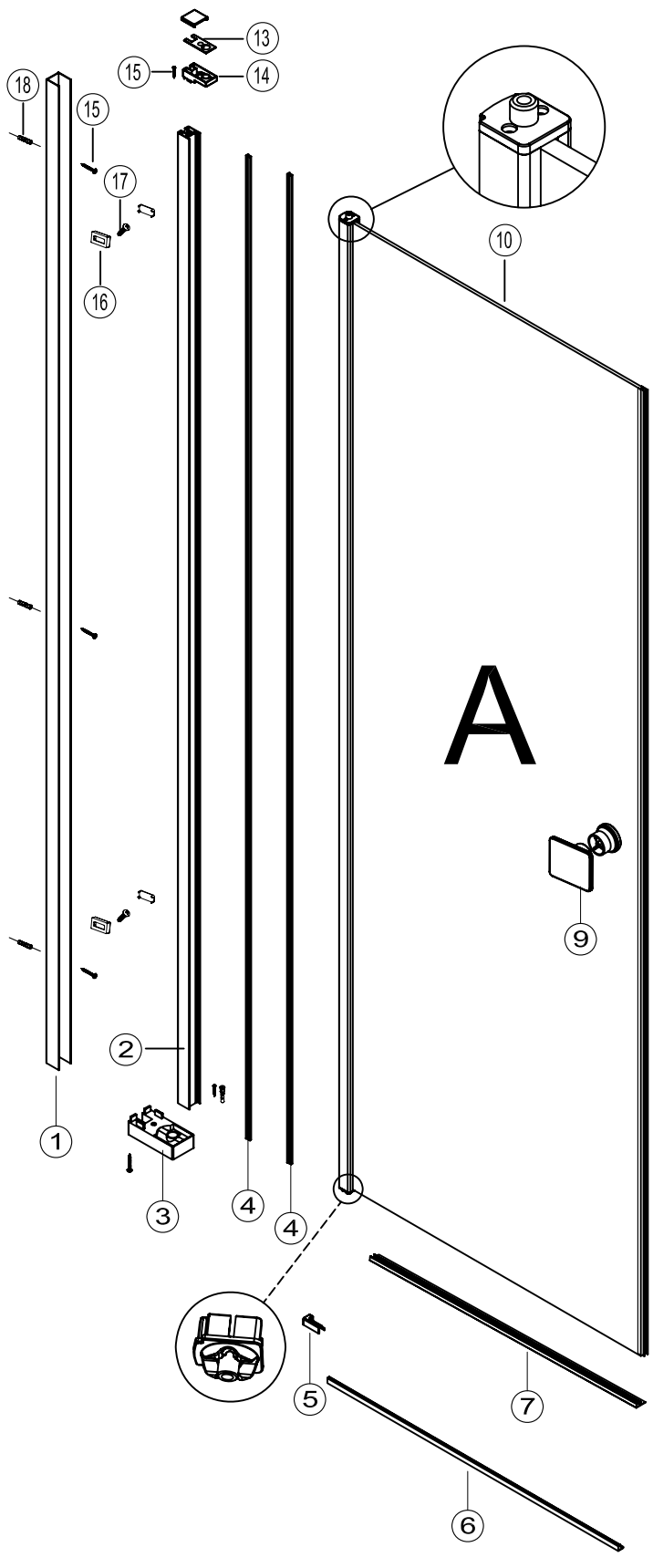
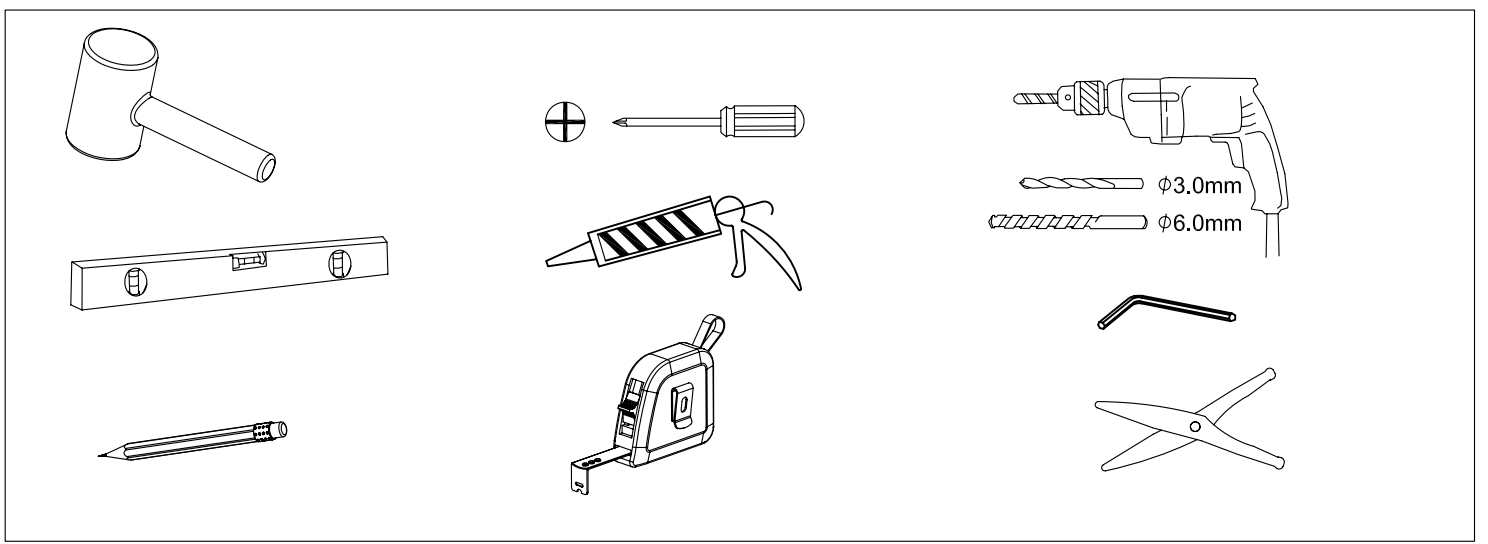


ngular 1 fijo + 1 puerta

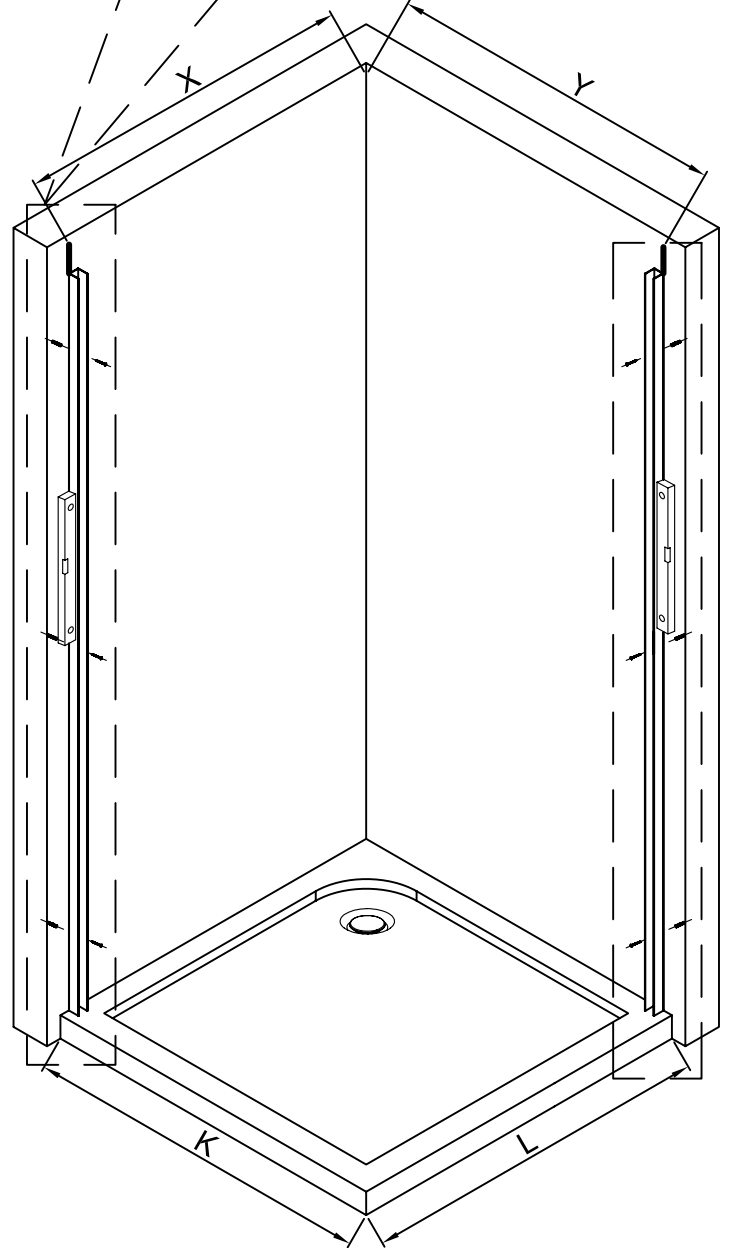
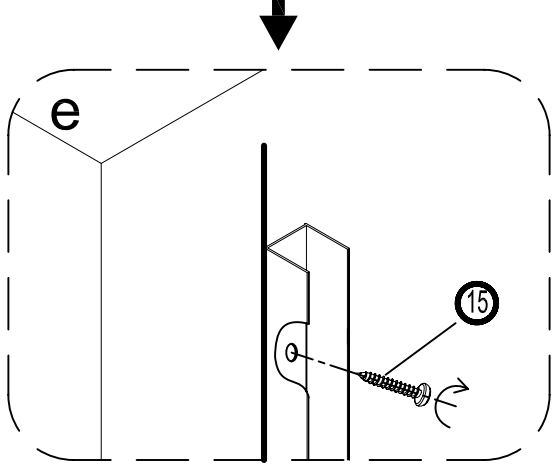
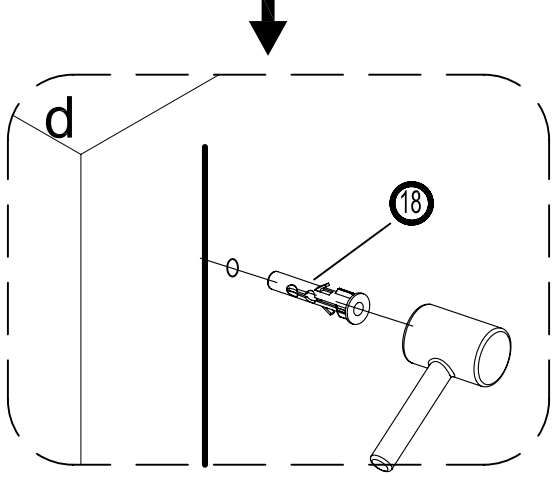
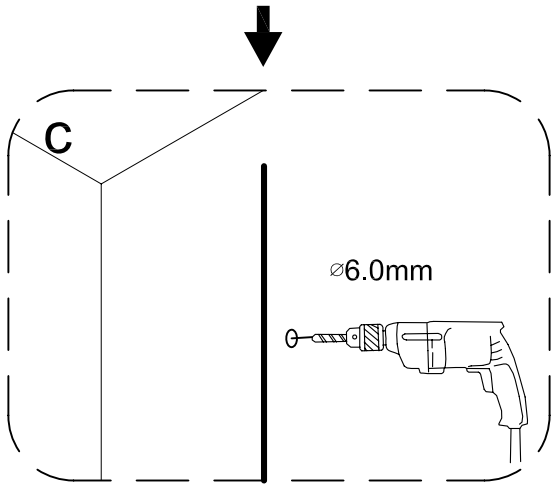
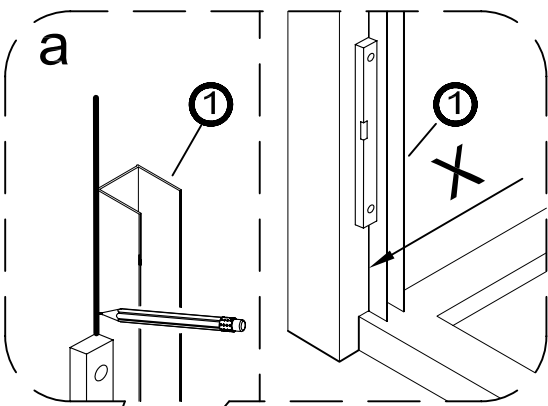
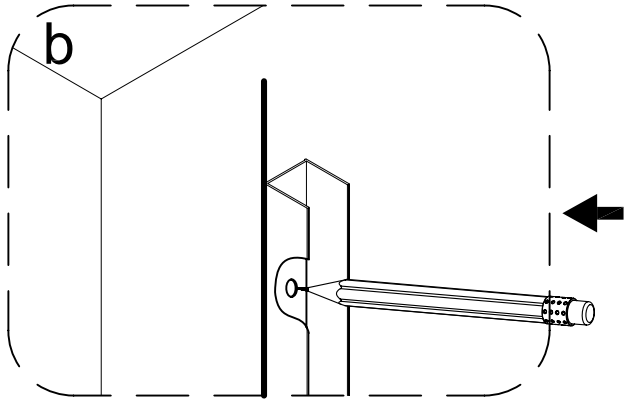
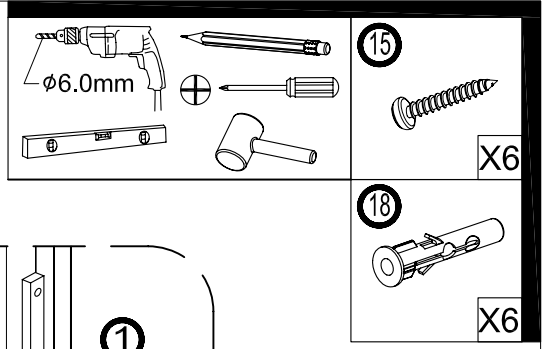






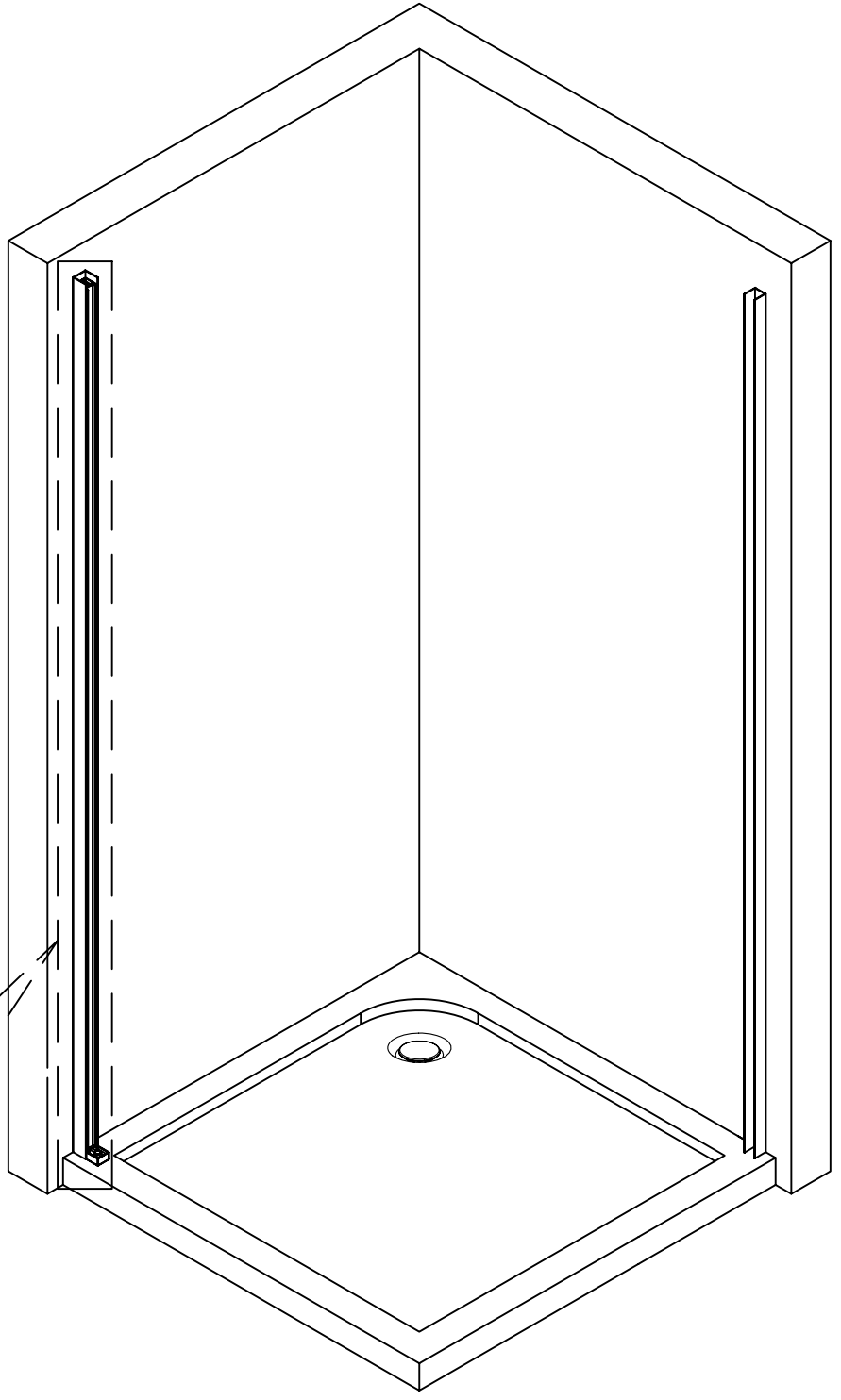
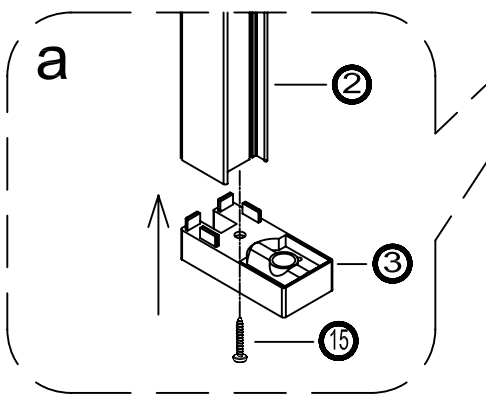
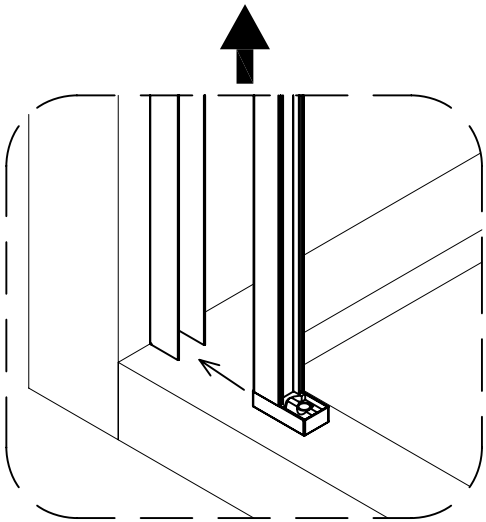
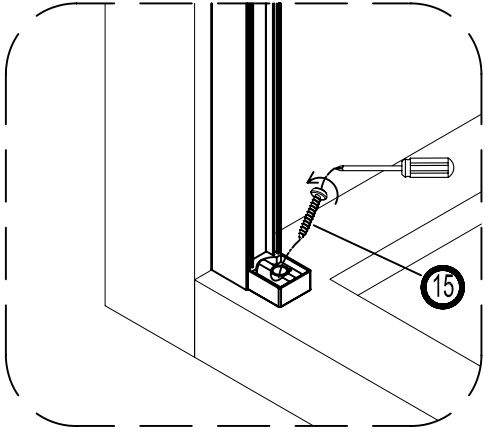
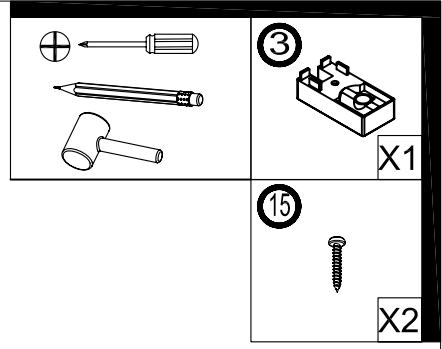
①		AL052	X 2	⑮		PL041	X 8
②		AL061	X 1	⑲		PL065	X 1
③		HD030	X 1	⑳		PL066	X 2
④		JT015	X 2	㉑		ST4X30	X 1
⑤		PL075L/R	X 2	㉒		PL064L/R	X 1
⑥		AL016	X 1				
⑦		JT036-01	X 1				
⑧		AL061	X 1				
⑨		HD015	X 1				
⑩		A	X 1				
⑪		B	X 1				
⑫		HD034	X 1				
⑬		PL062	X 1				
⑭		HD031	X 1				
⑮		ST4X30	X 9				
⑯		PL063	X 6				
⑰		ST4X8	X 6				

1

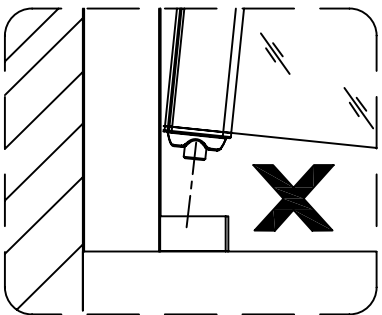
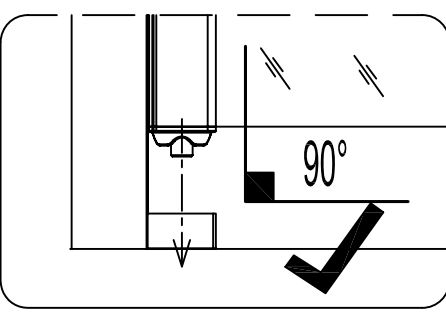
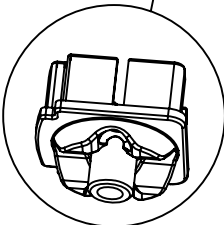
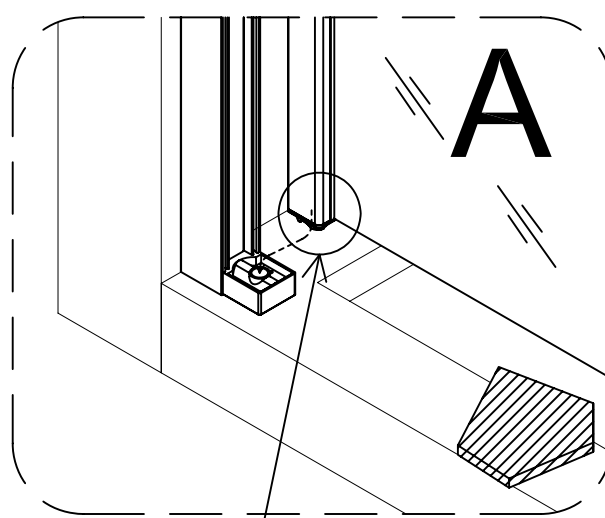
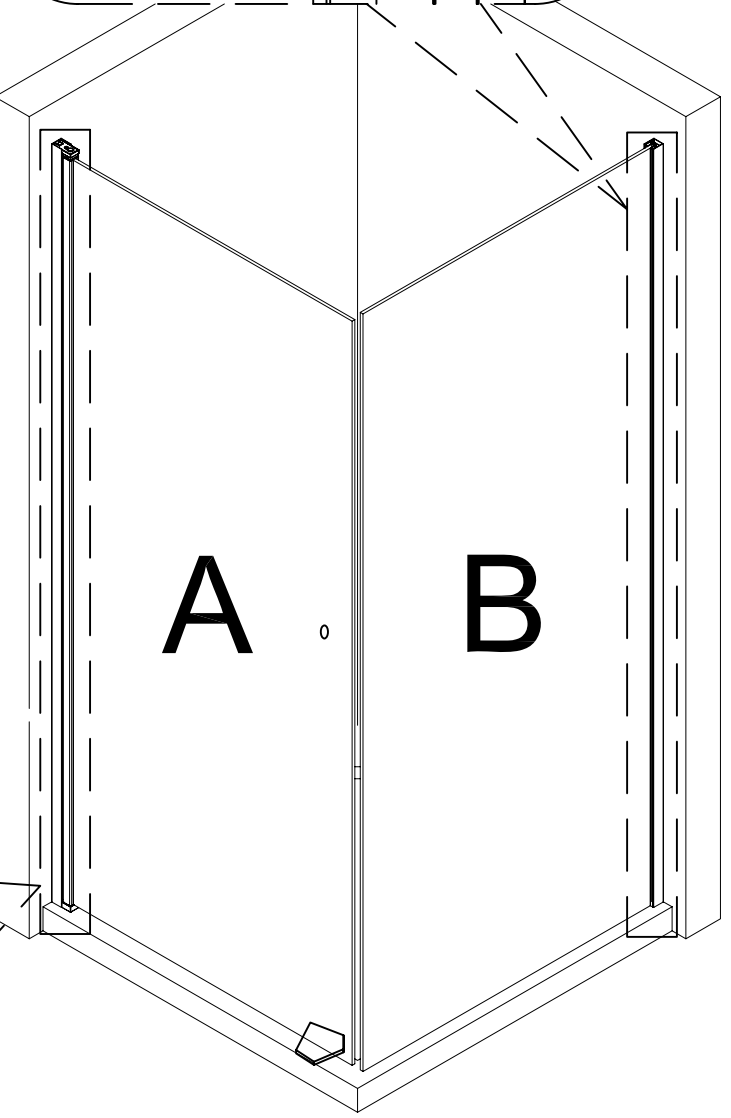
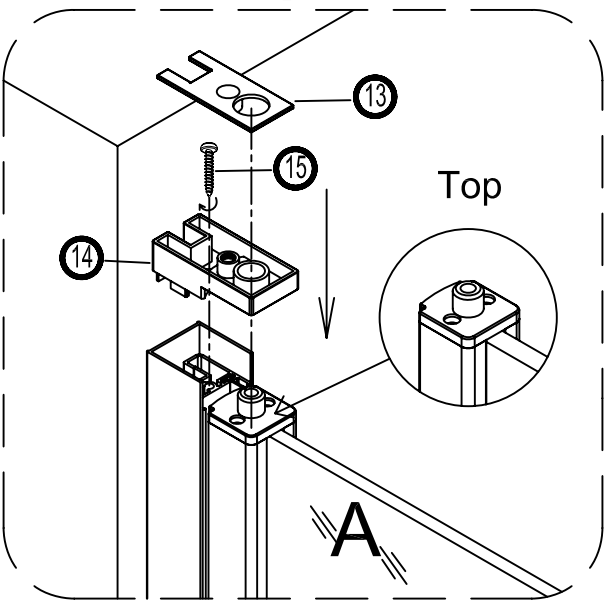
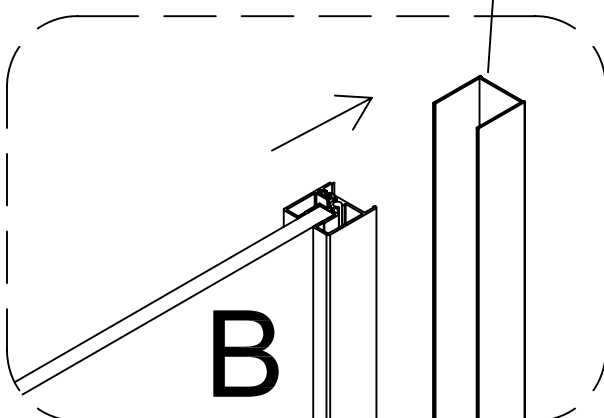
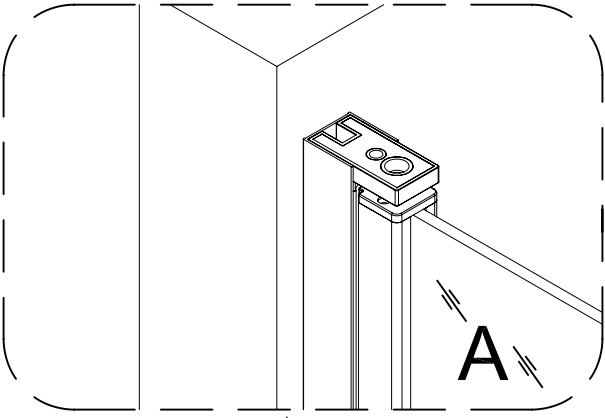
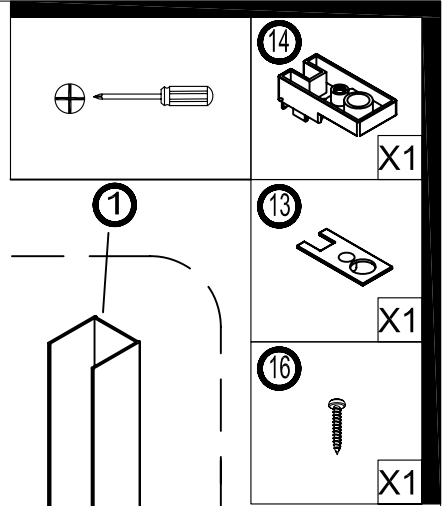


K/L	800/800	900/900	1000/1000
X (MIN)	770	870	970
Y (MIN)	785	885	985

2

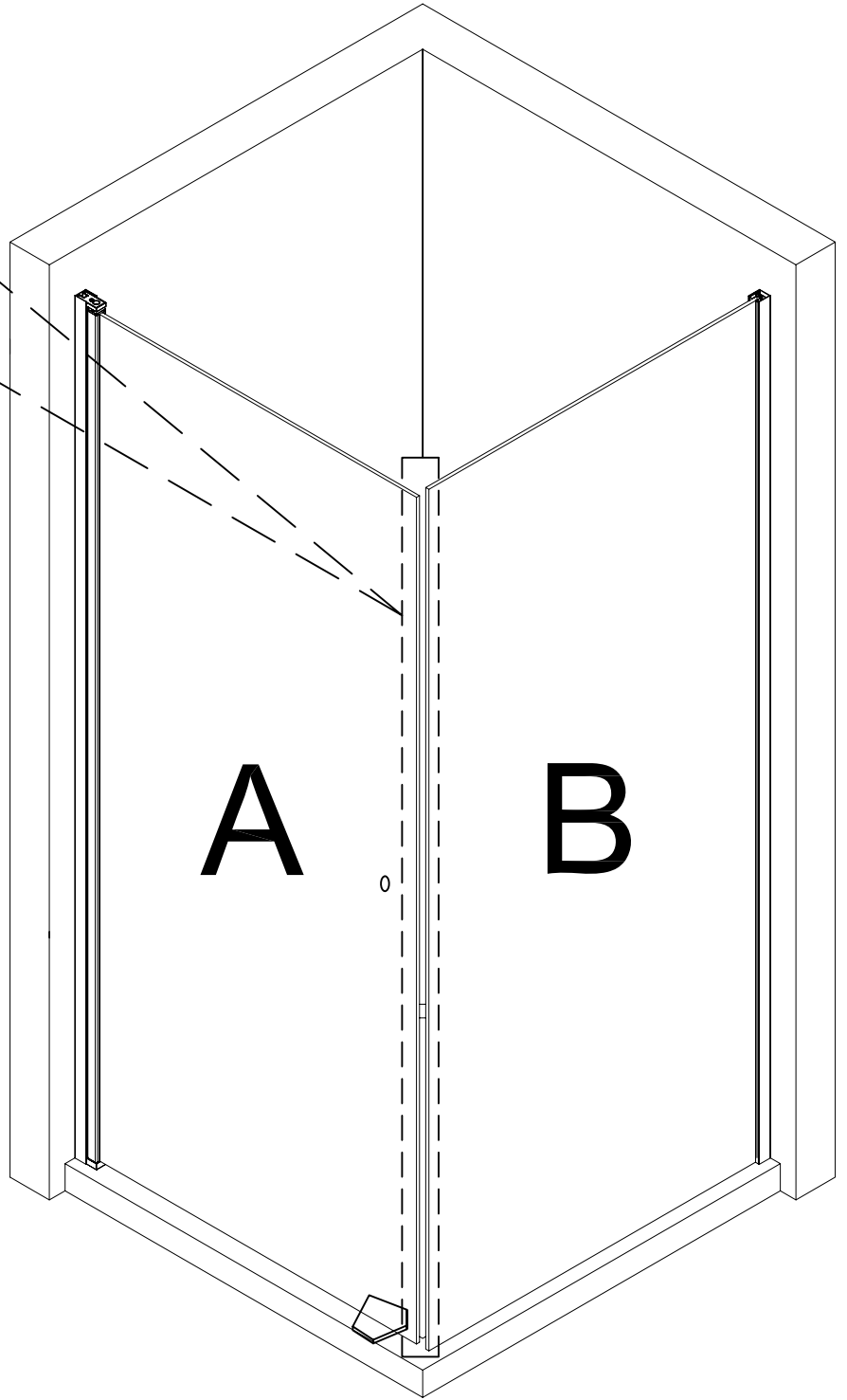
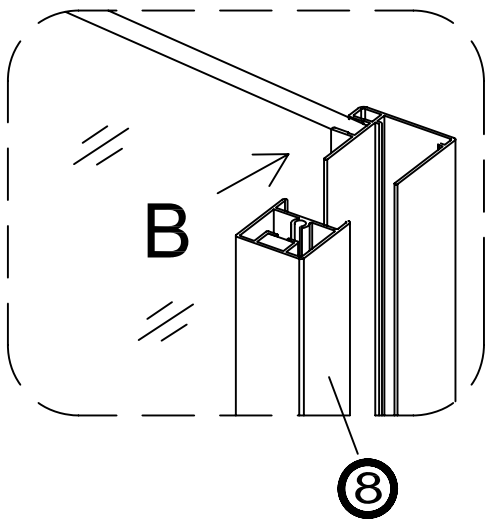
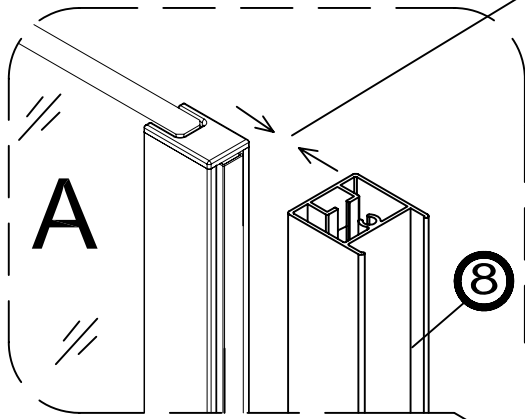


3



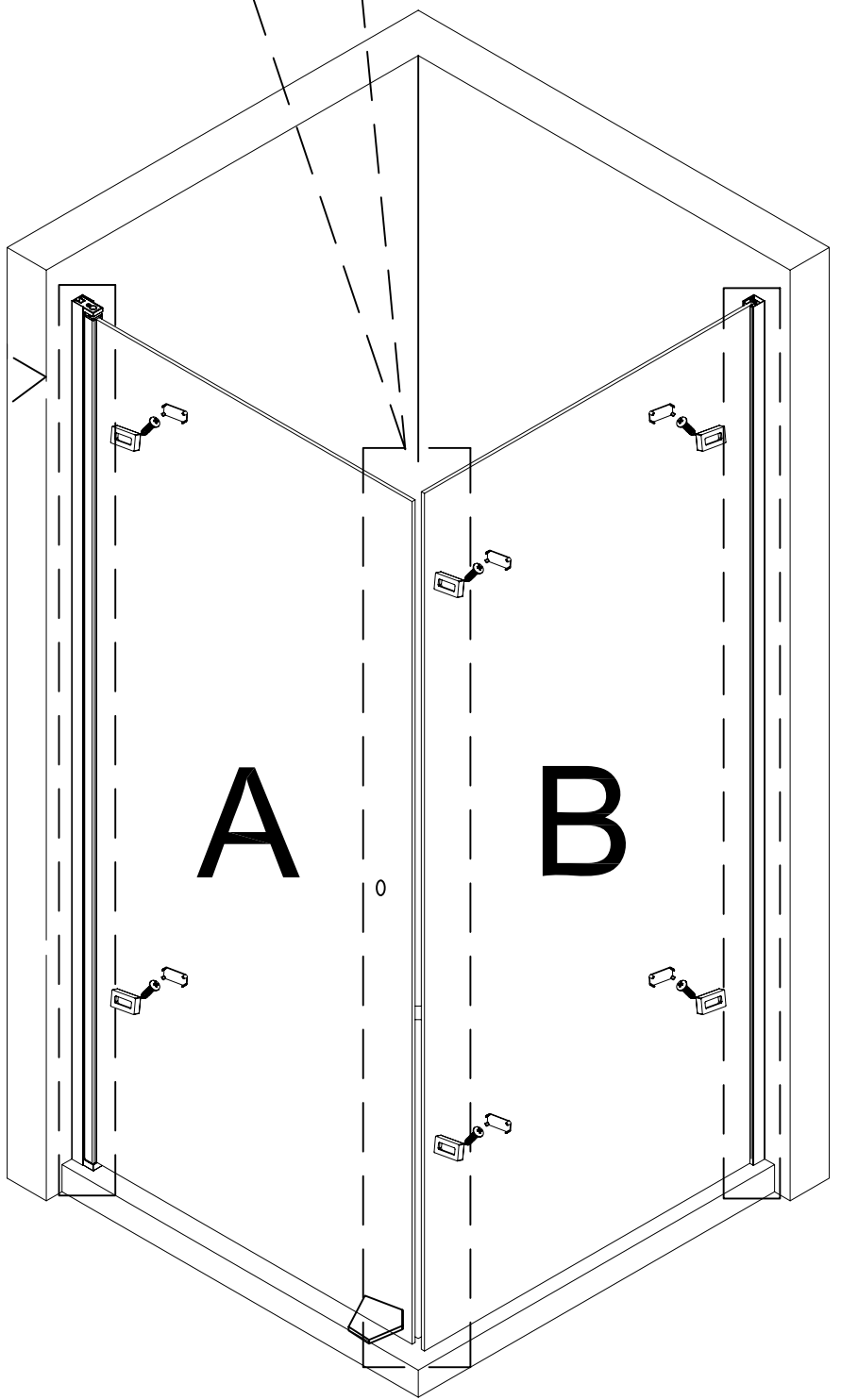
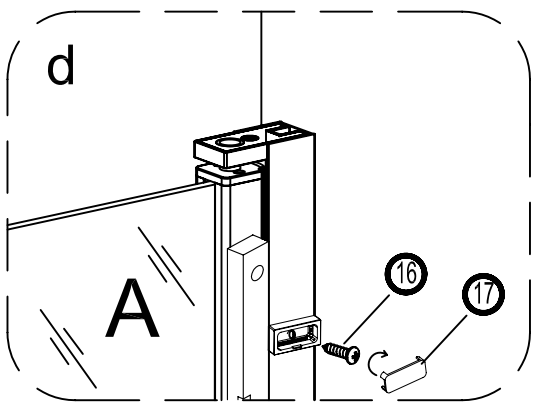
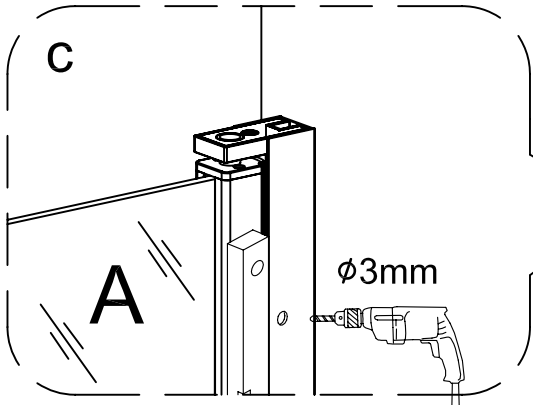
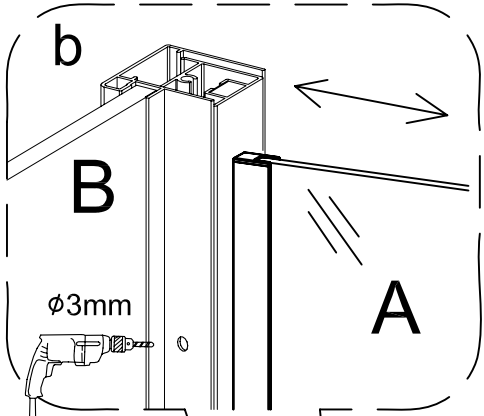
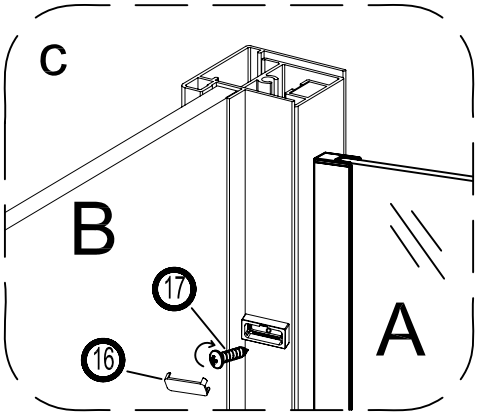
4

Please confirm the magnetic steels can be attracted to each other before installation.

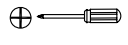



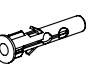
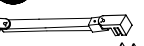


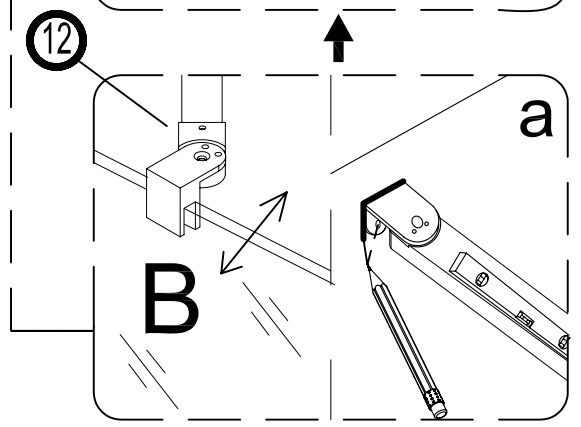
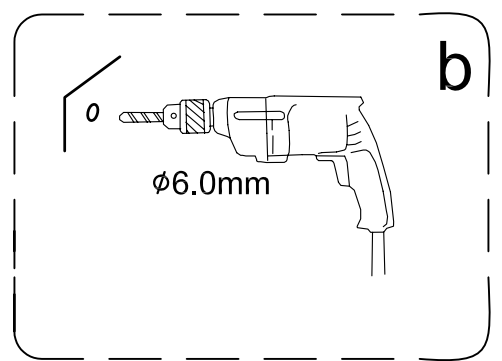
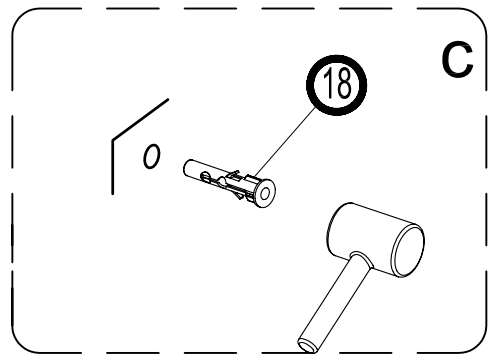
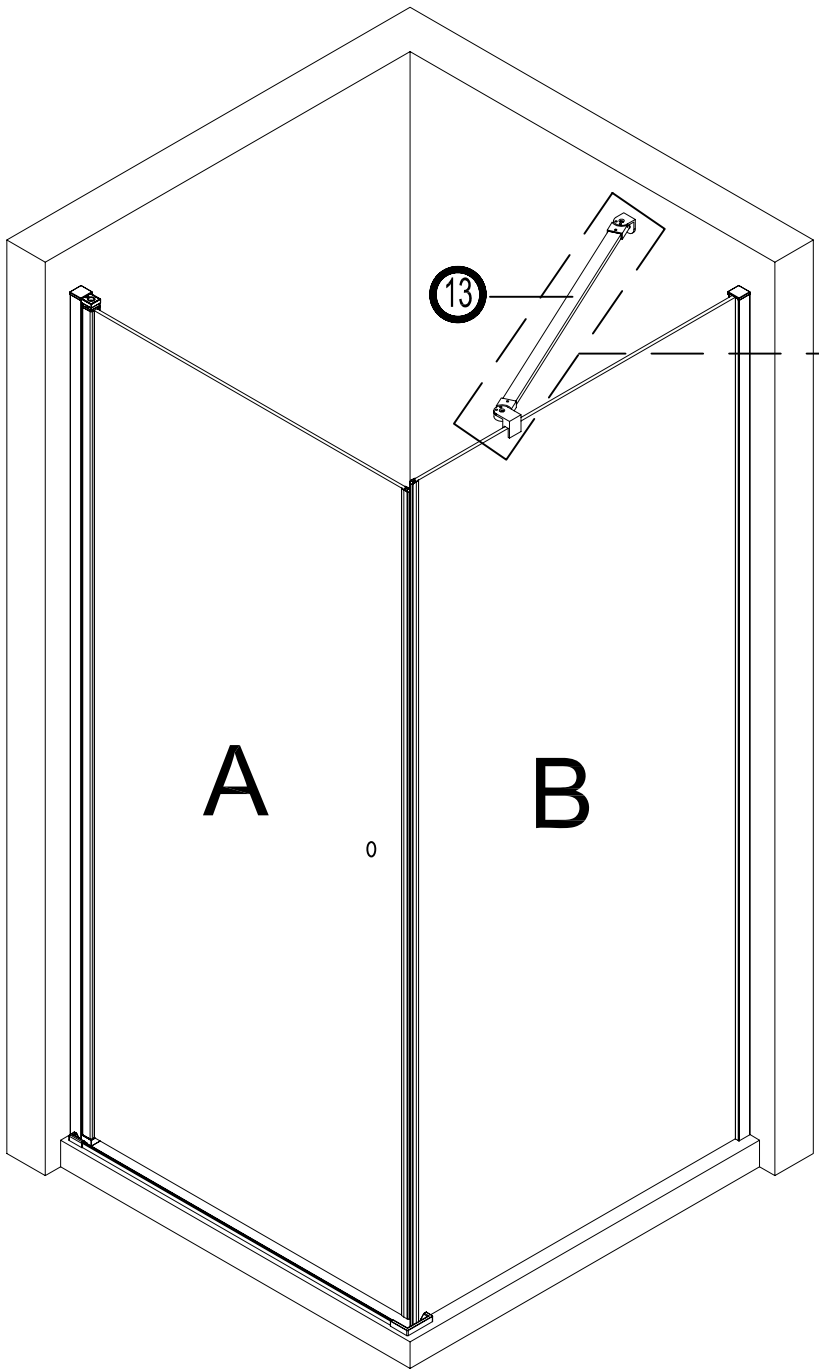
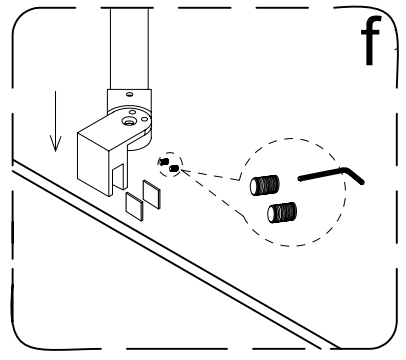
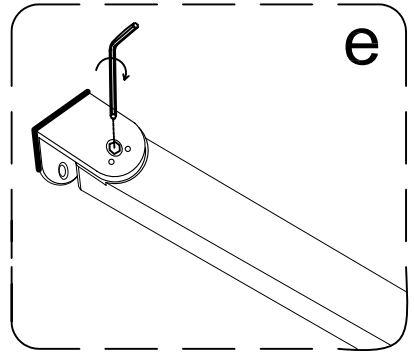
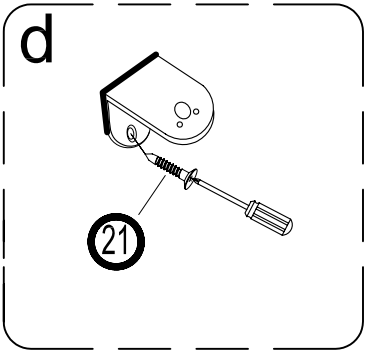
5

<p>⊕ ⊖ φ3mm</p>	<p>17</p> <p>X6</p>
	<p>16</p> <p>X6</p>

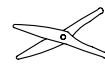


6

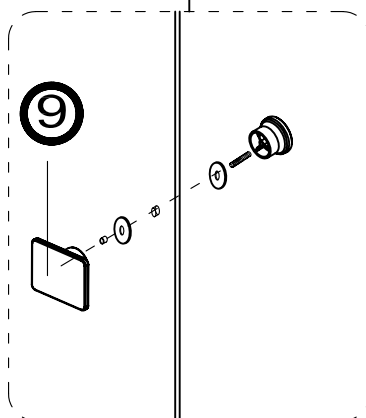
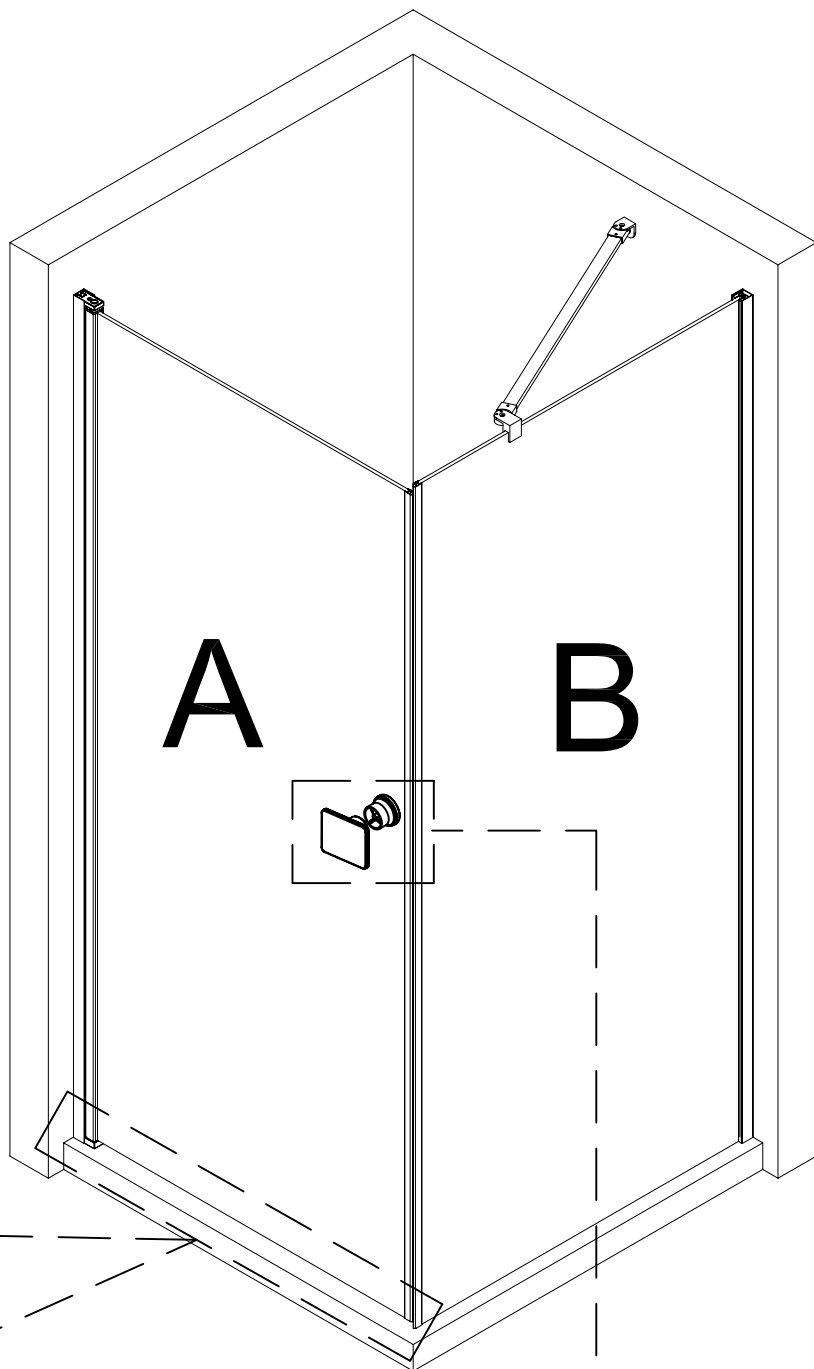
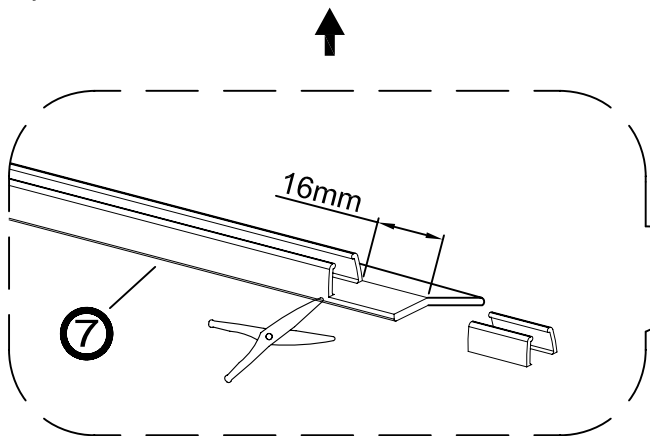
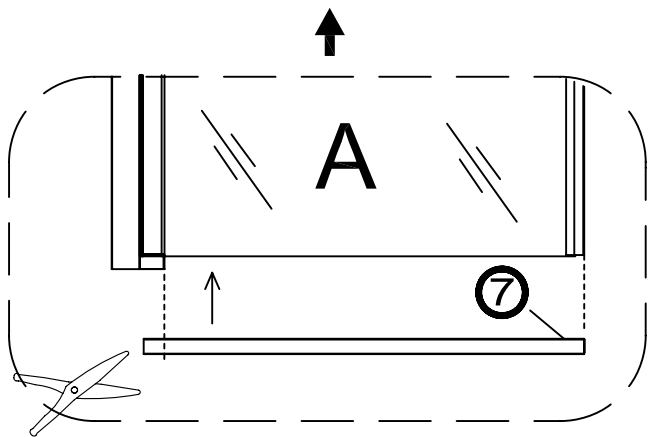
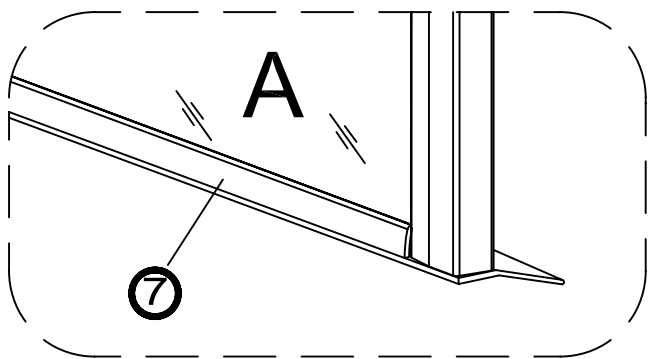
   ø6mm	(21)  X1
	(18)  X1
	(12)  600mm X1

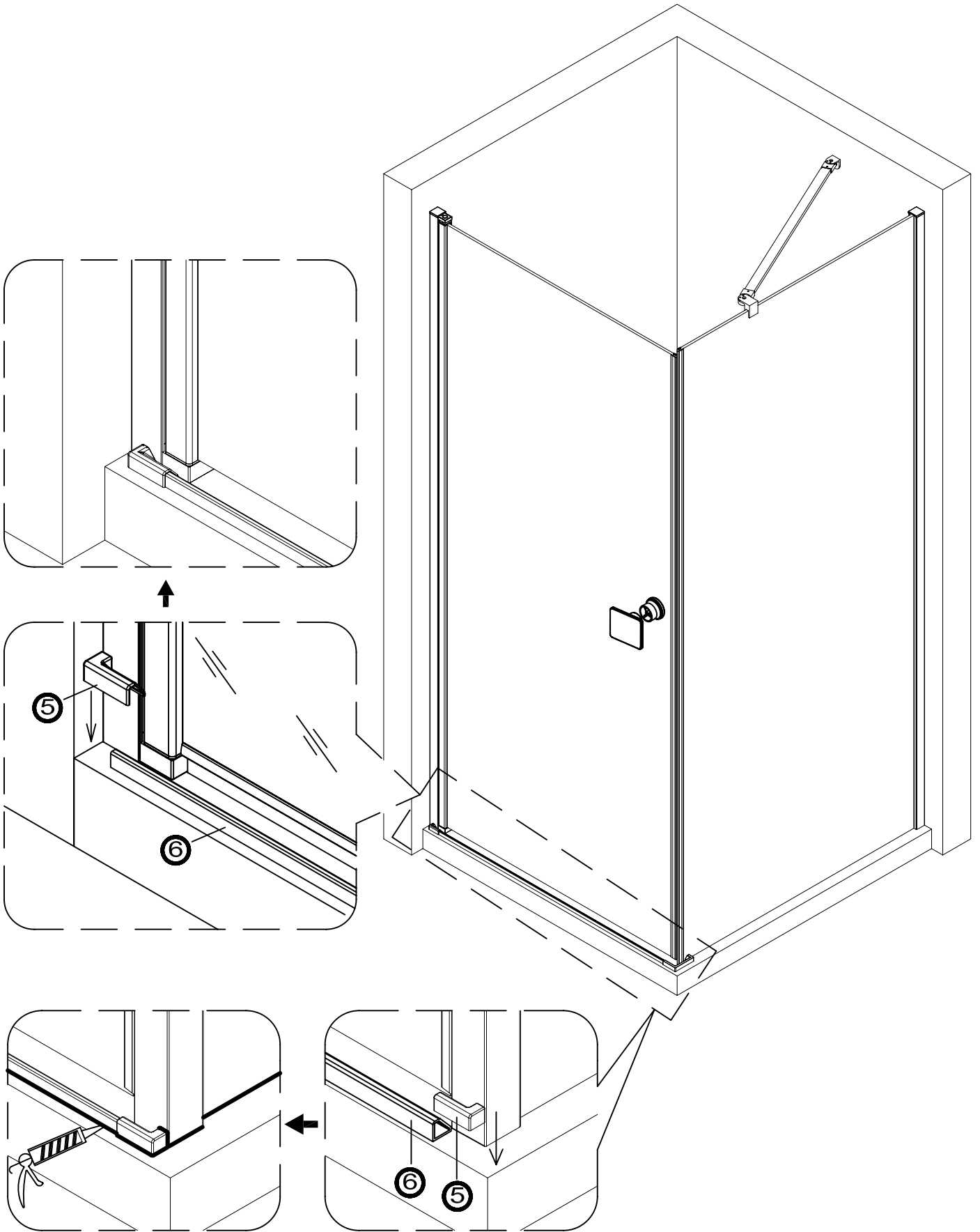


7



X1





9

