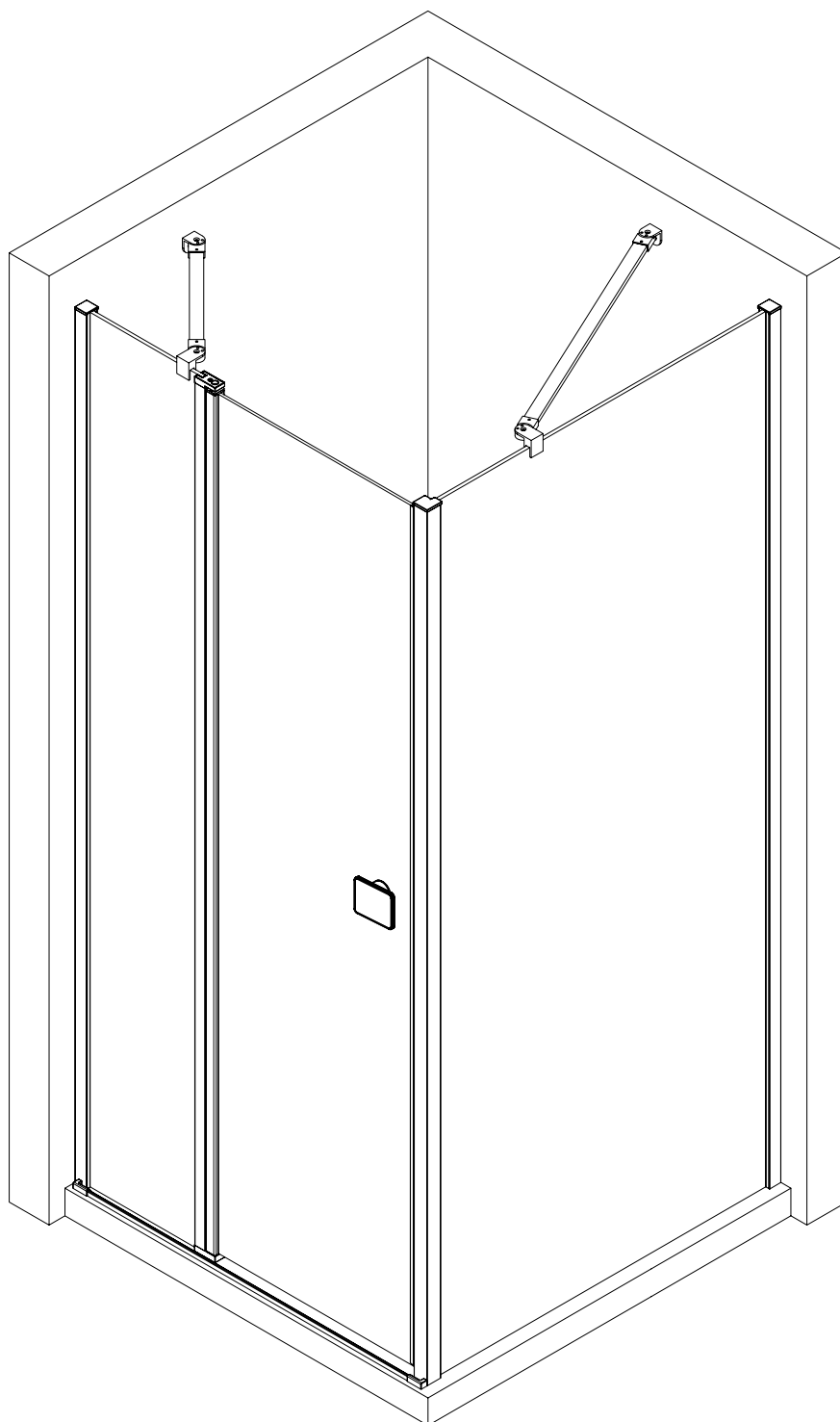
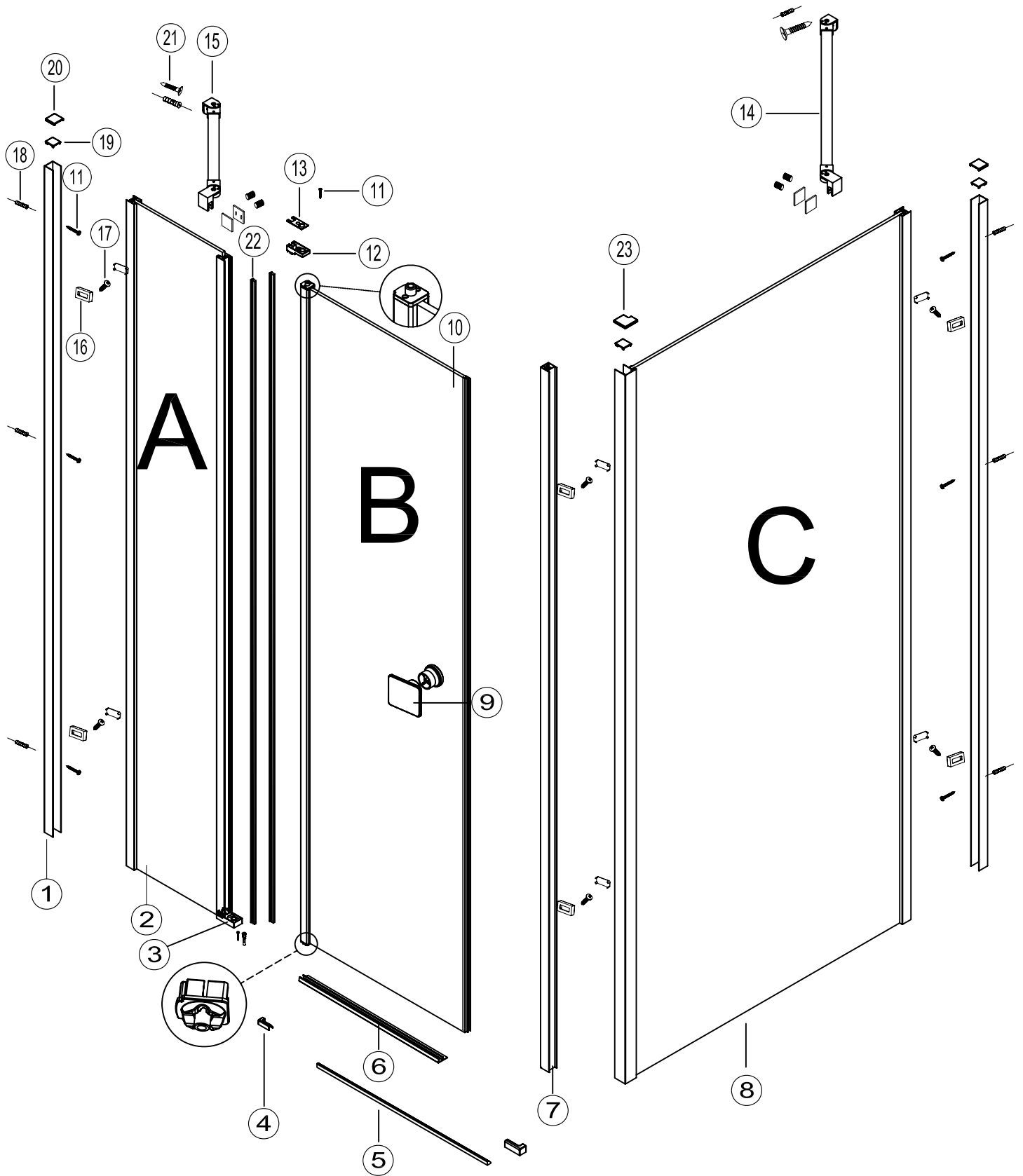
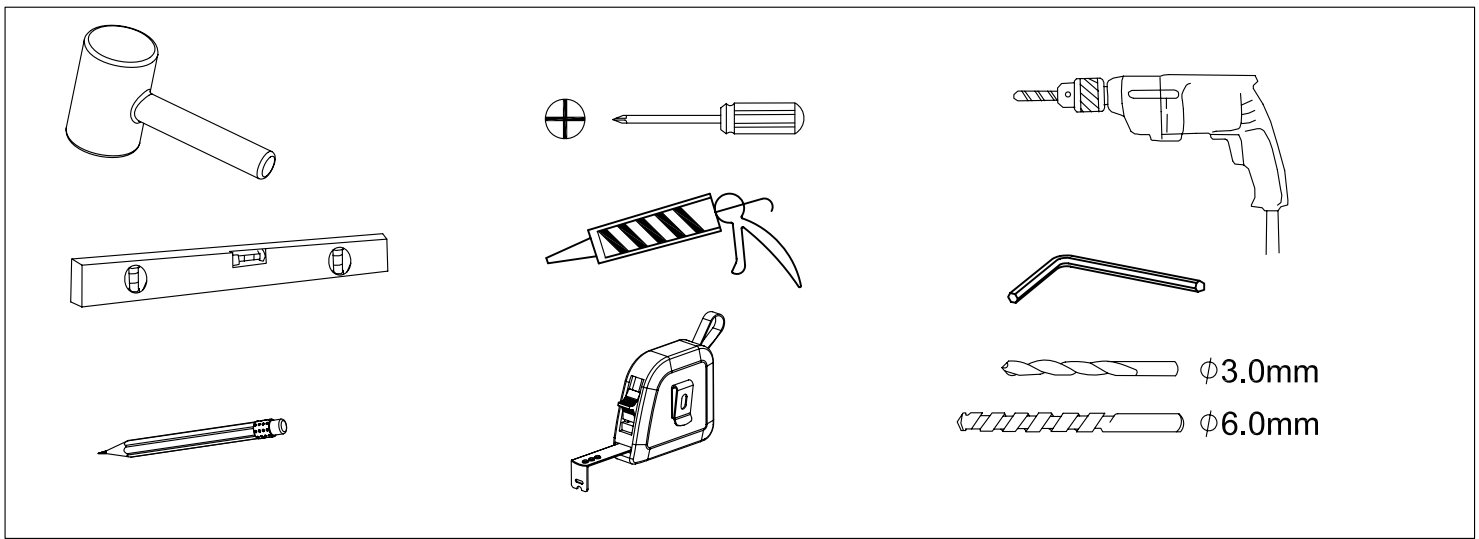


OPEN Rectangular 1 fijo 1 puerta + 1 fijo

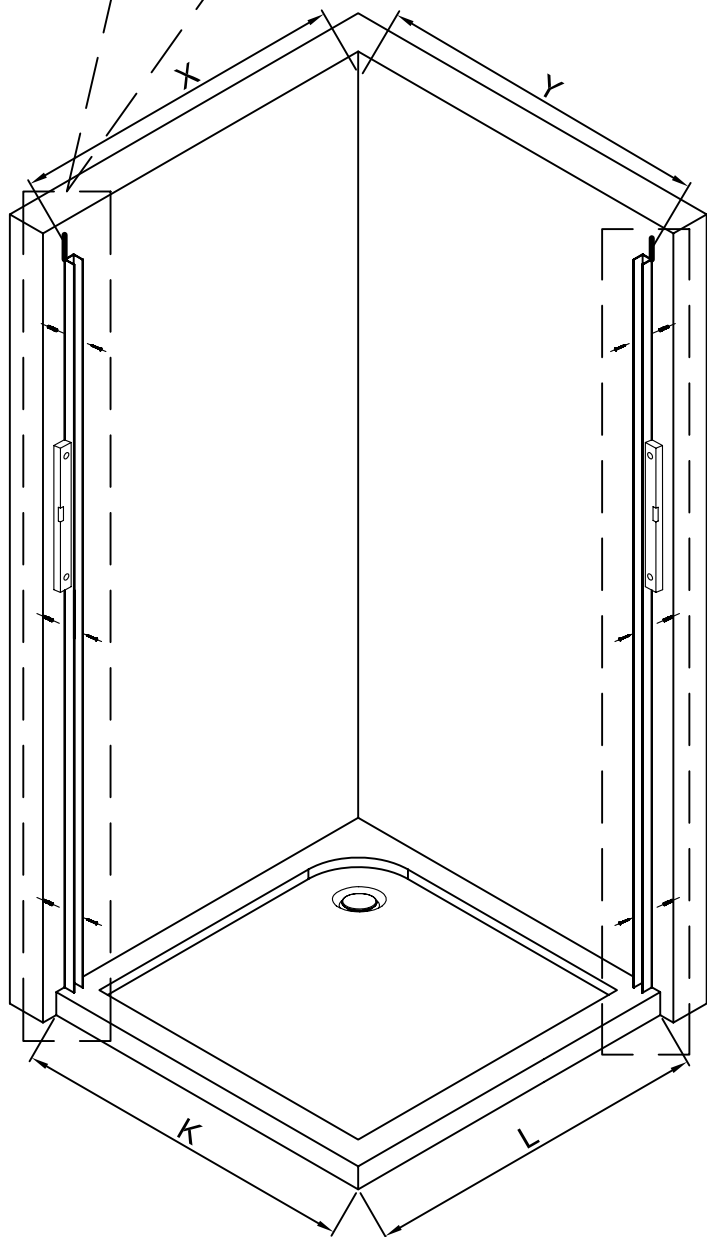
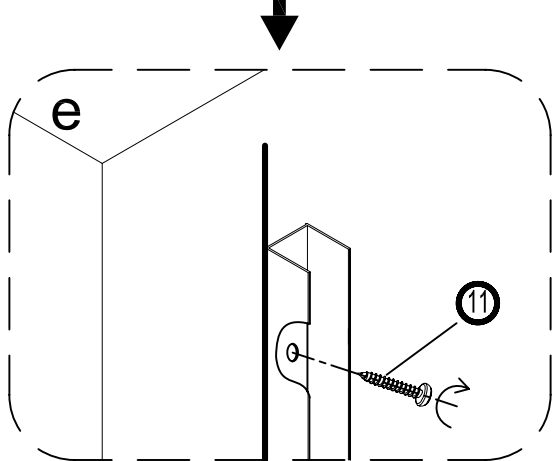
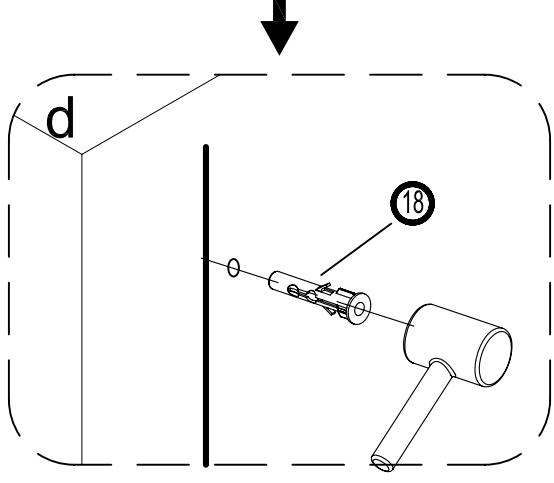
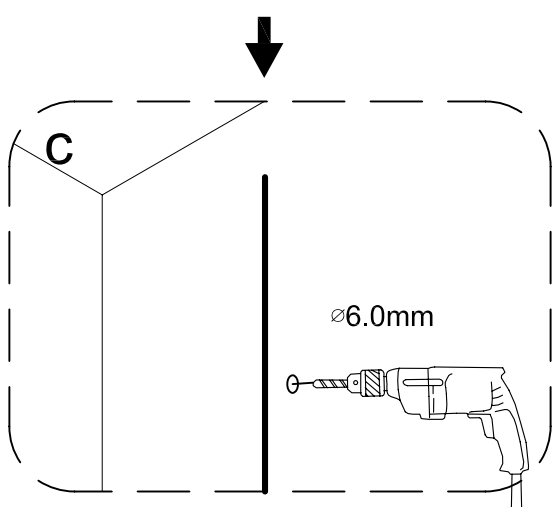
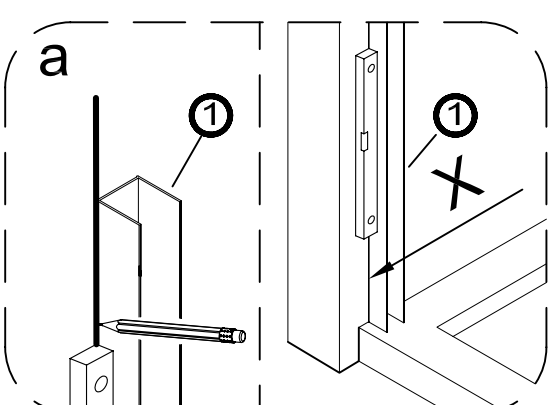
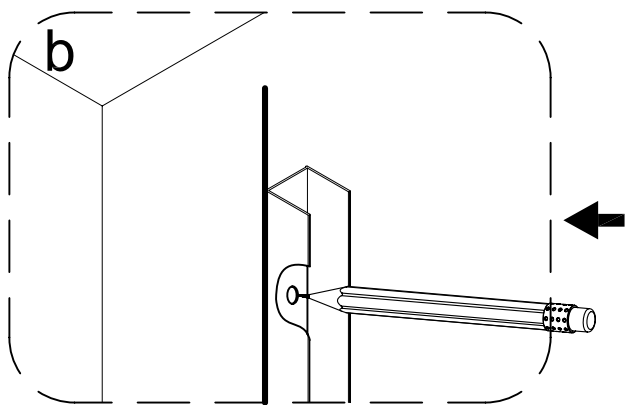
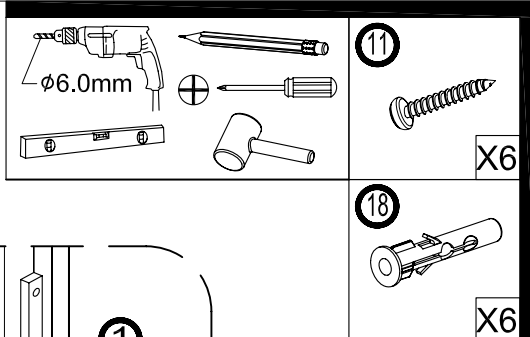






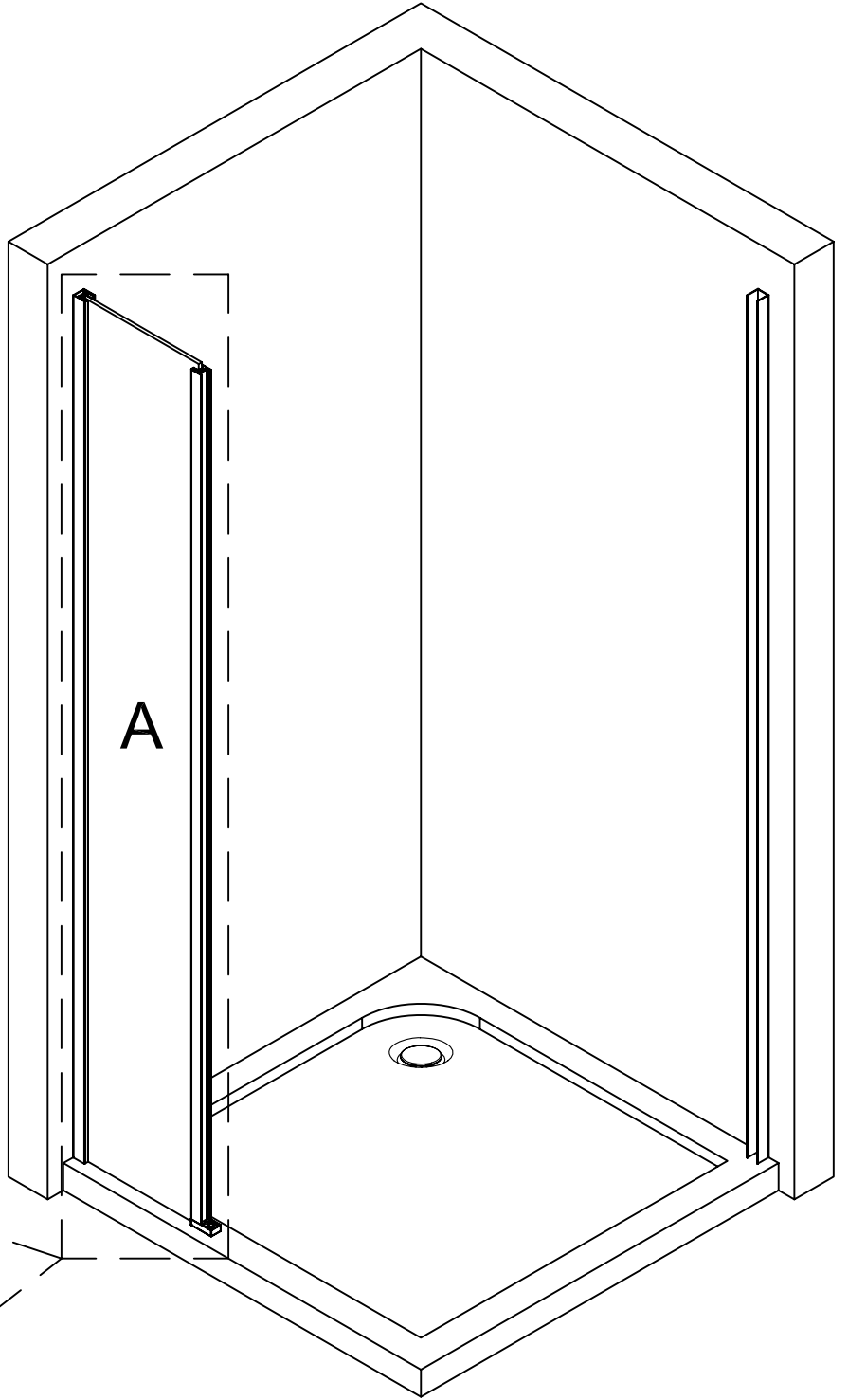
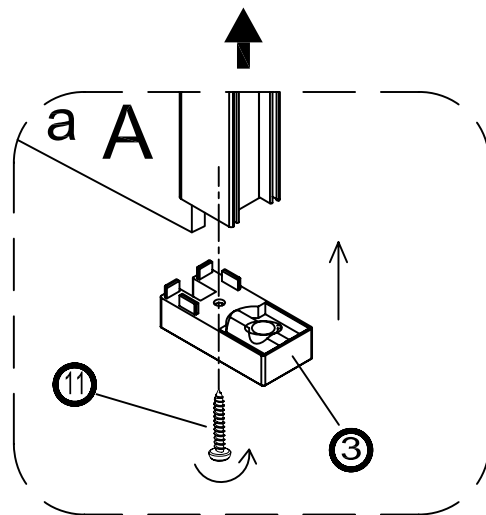
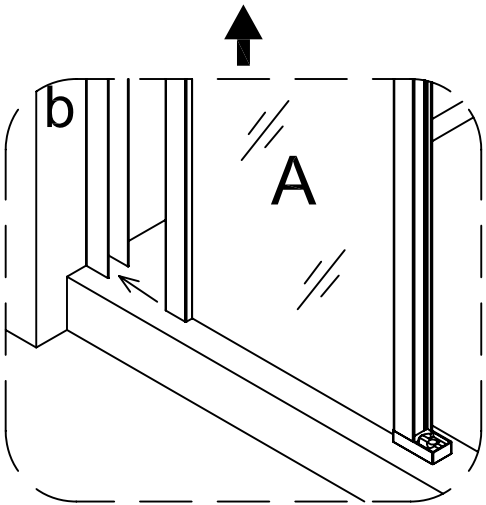
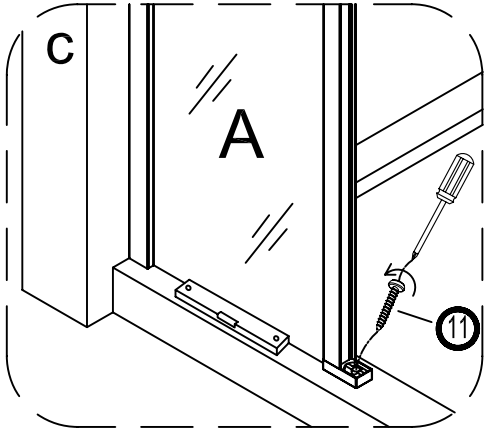
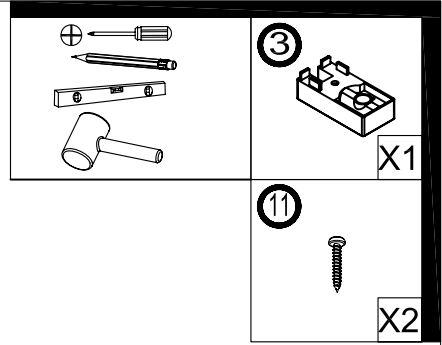
①		AL052	X 2	⑱		PL041	X 9
②		A	X 1	⑲		PL065	X 3
③		HD030	X 1	⑳		PL066	X 2
④		PL075L/R	X 2	㉑		ST4X30	X 2
⑤		AL016	X 1	㉒		JT015	X 2
⑥		JT036-01	X 1	㉓		PL064L/R	X 2
⑦		AL061	X 1				
⑧		C	X 1				
⑨		HD015	X 1				
⑩		B	X 1				
⑪		ST4X30	X 8				
⑫		HD031	X 1				
⑬		PL062	X 1				
⑭		HD034	X 1				
⑮		HD034	X 1				
⑯		PL063	X 6				
⑰		ST4X8	X 6				

1


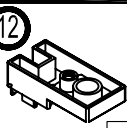




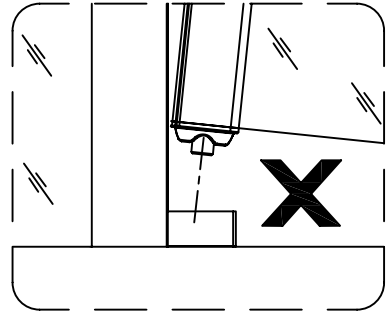
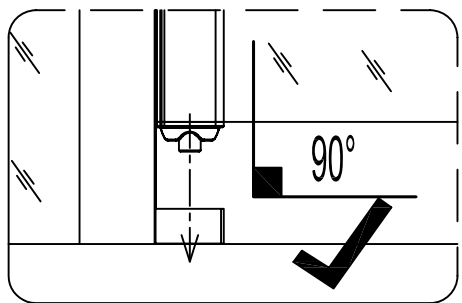
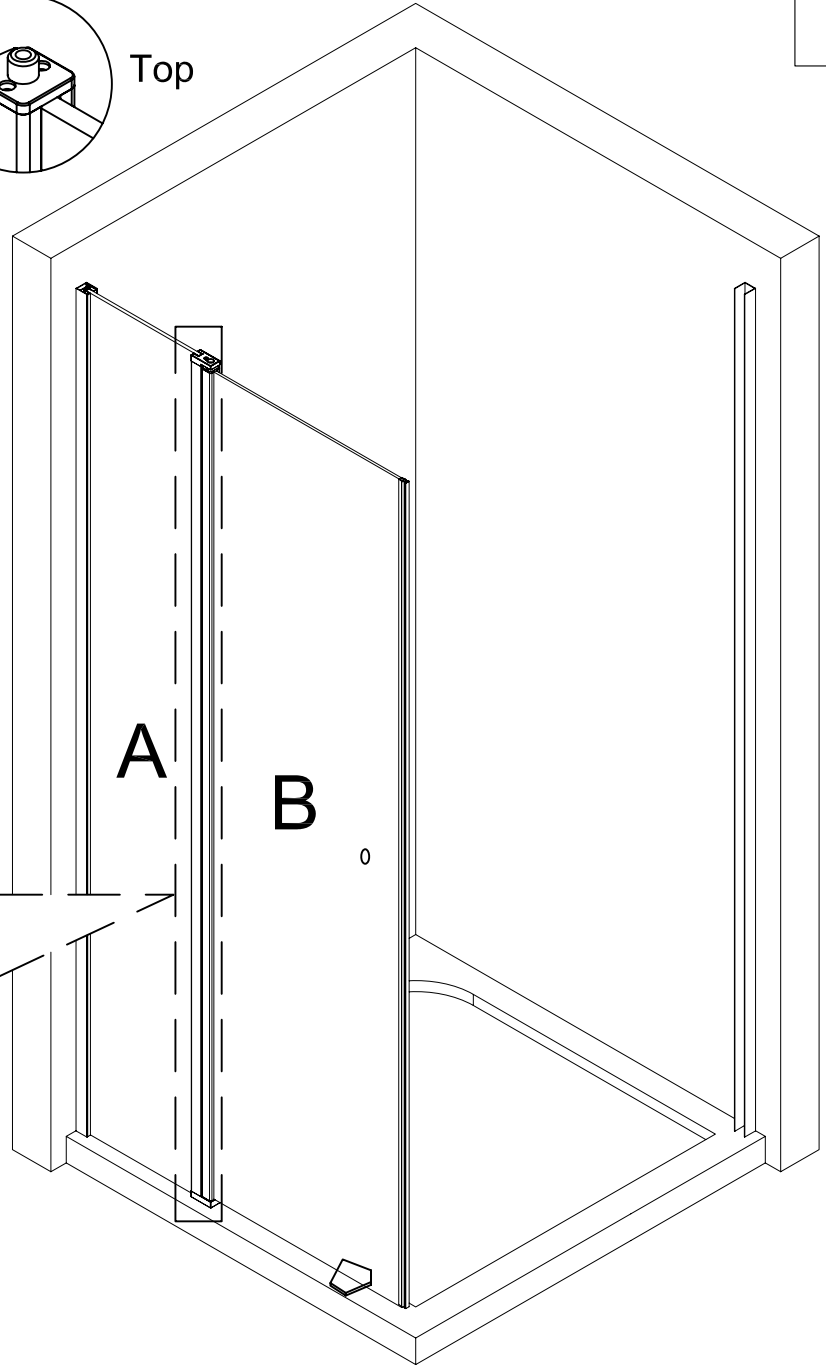
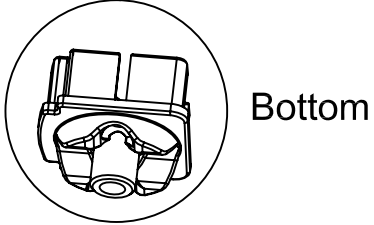
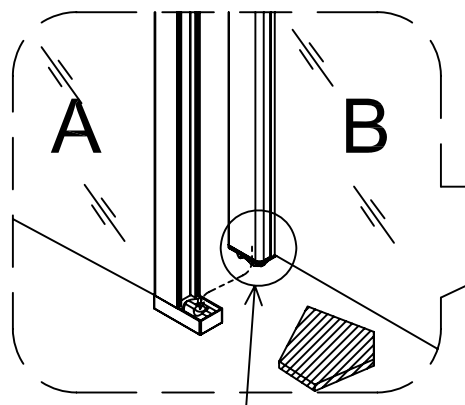
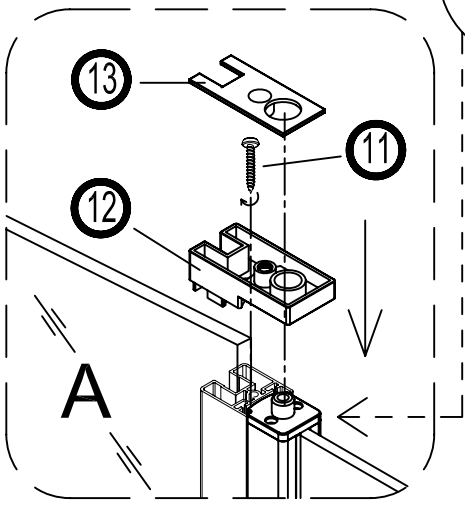
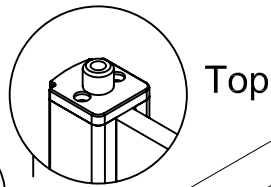
K/L	800/800	900/900	1000/1000	800/1200
X (MIN)	770	870	970	1170
Y (MIN)	785	885	985	785

2



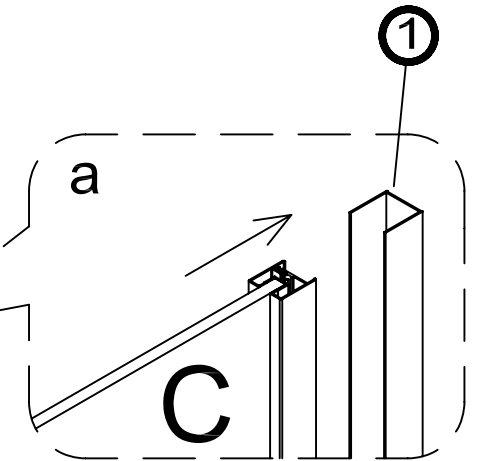
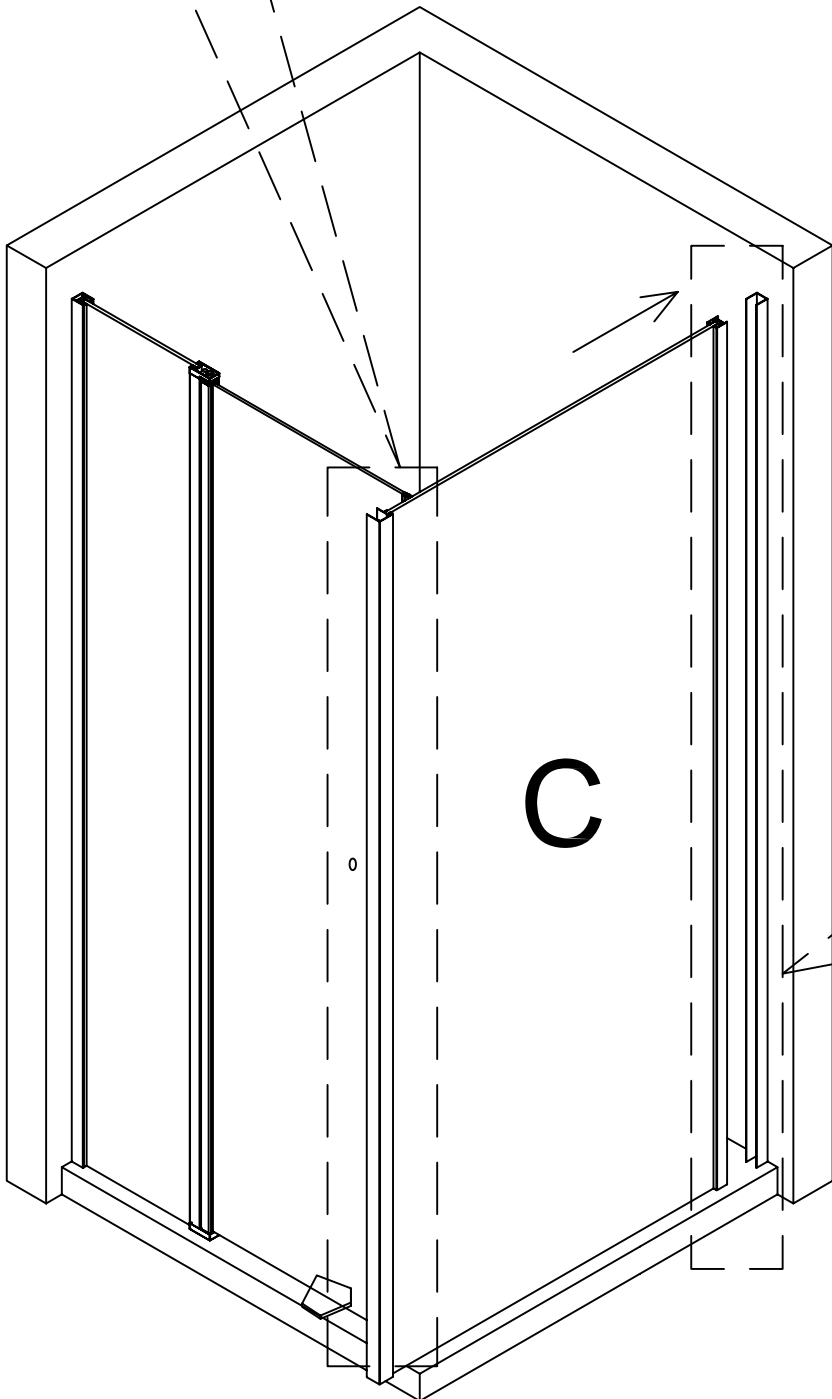
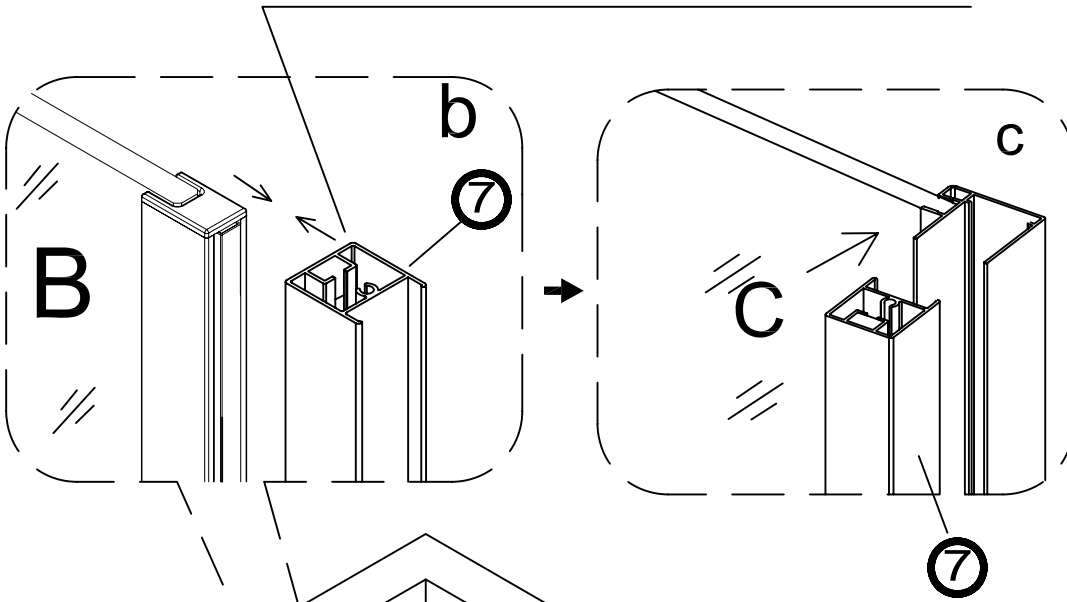
3

-   X1
-  X1
-  X1



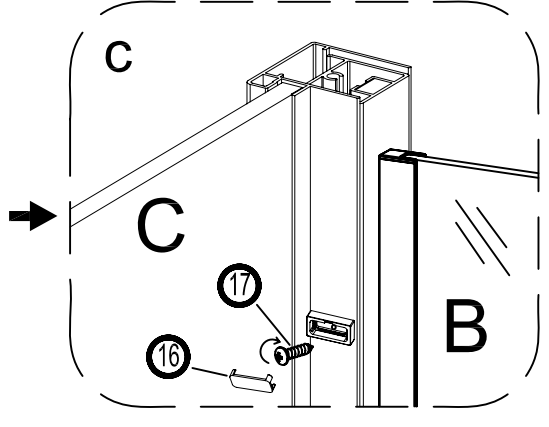
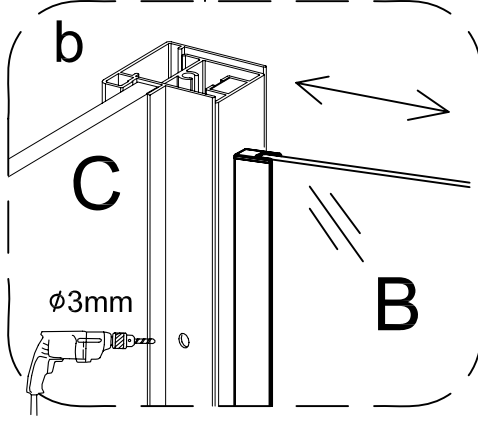
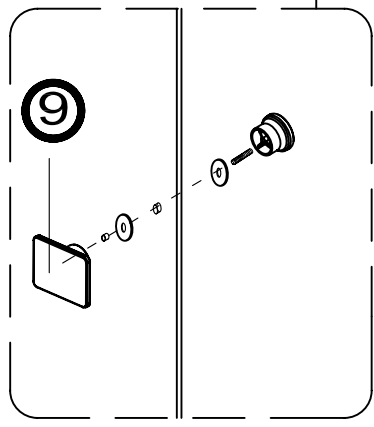
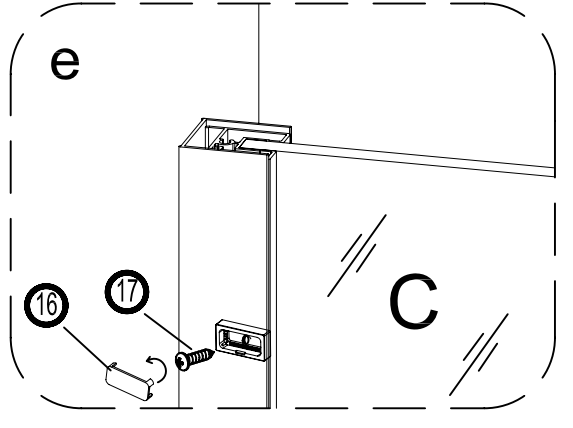
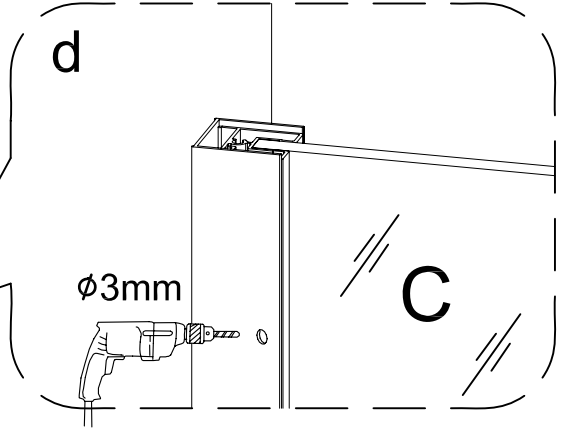
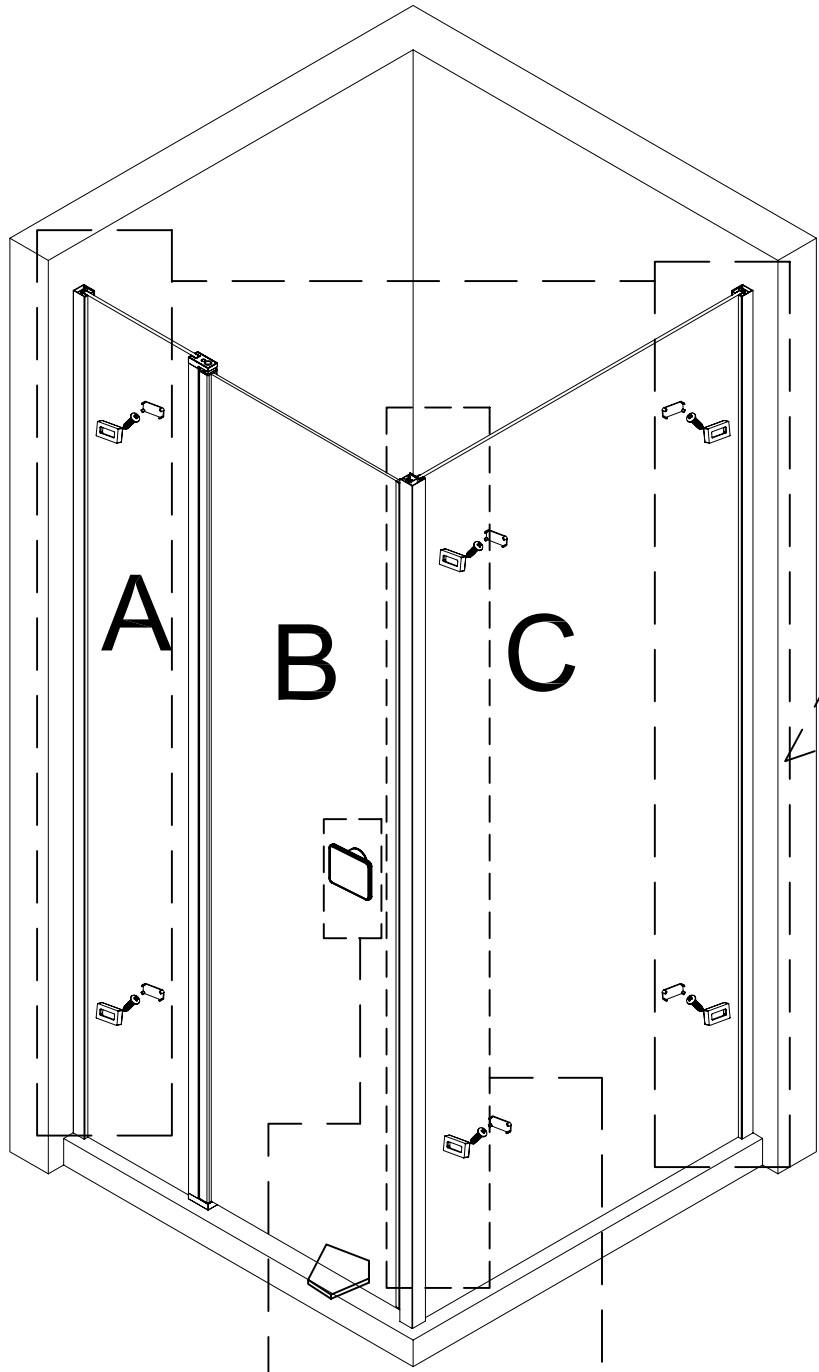
4

Please confirm the magnetic steels can be attracted to each other before installation.








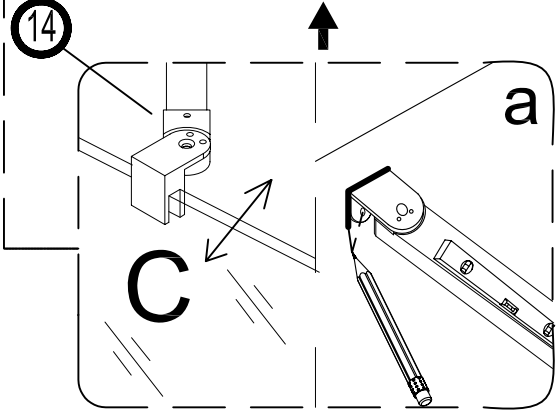
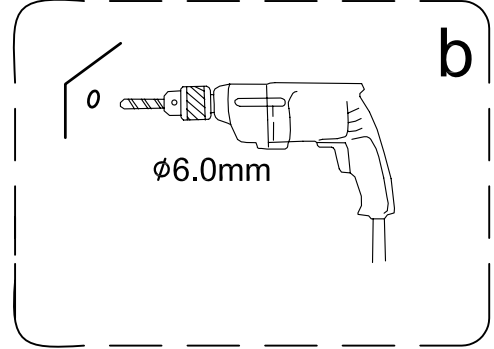
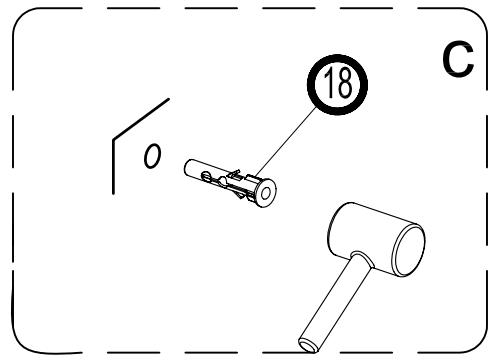
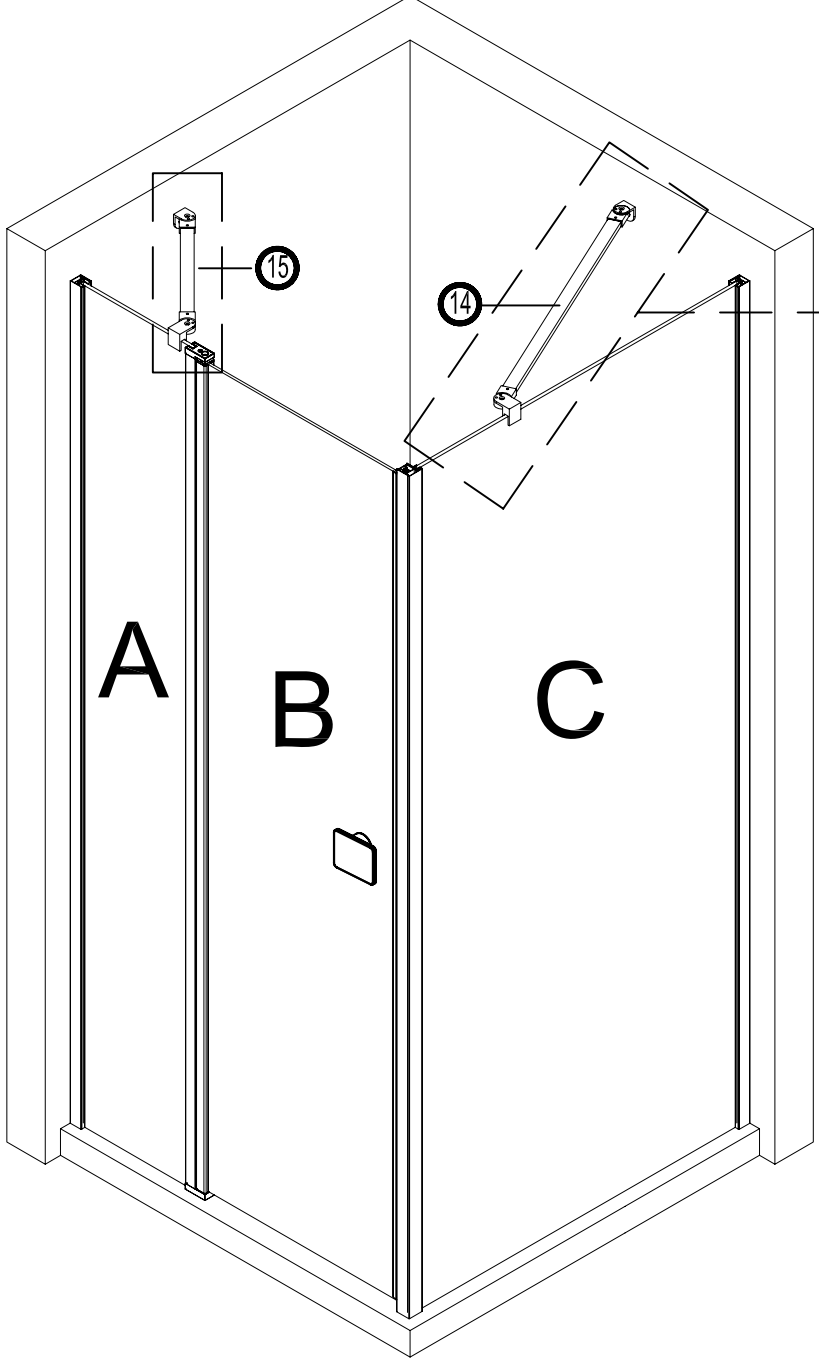
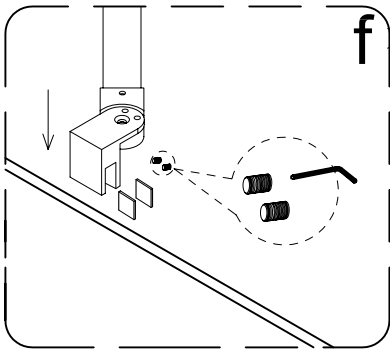
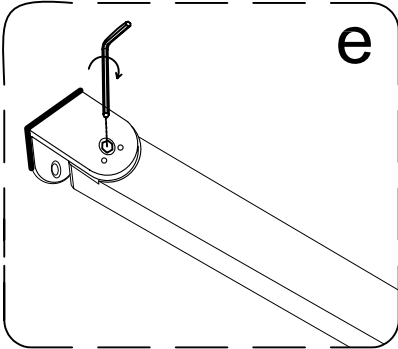
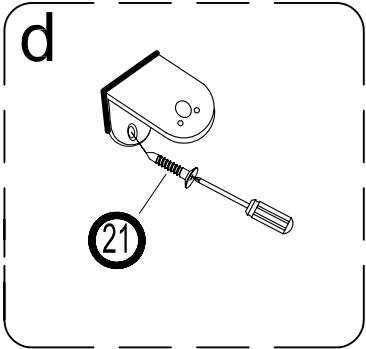
5

- ⊕ — — — — —
- — — — —
- ⌀3mm
- 17
- X6
- 16
- X6
- 9
- X1

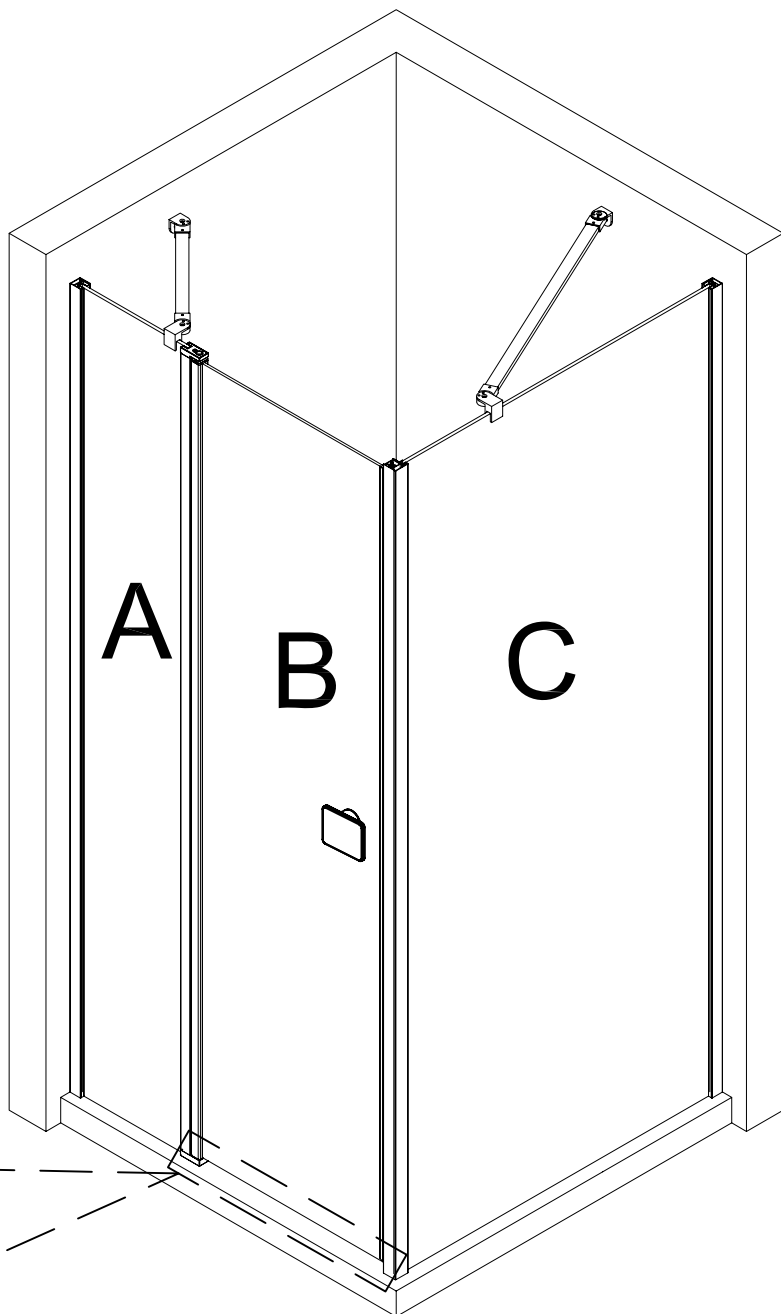
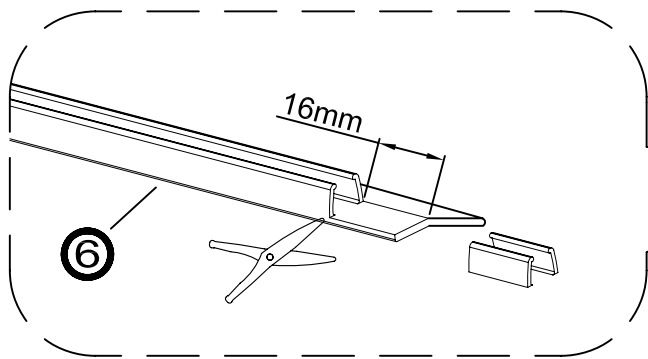
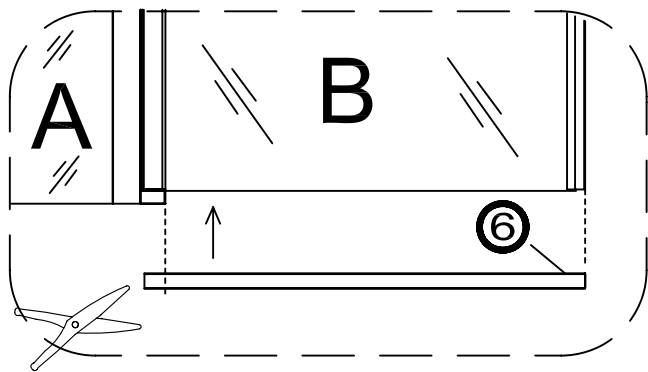
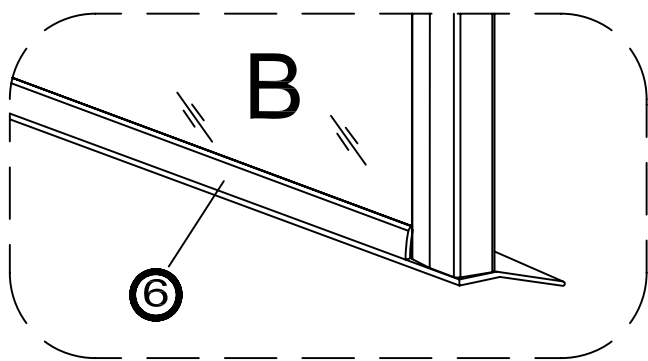
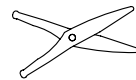


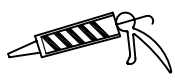





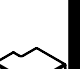
6

- ⊕  **(21)**
-  $\phi 3\text{mm}$
-  **(21)** X2
- (15)**  300mm X1
- (14)**  600mm X1



7



-   X2
-  X2
-   X2
-   X2

